

HD942B PARTS LIST

Serial # _____

ID# _____

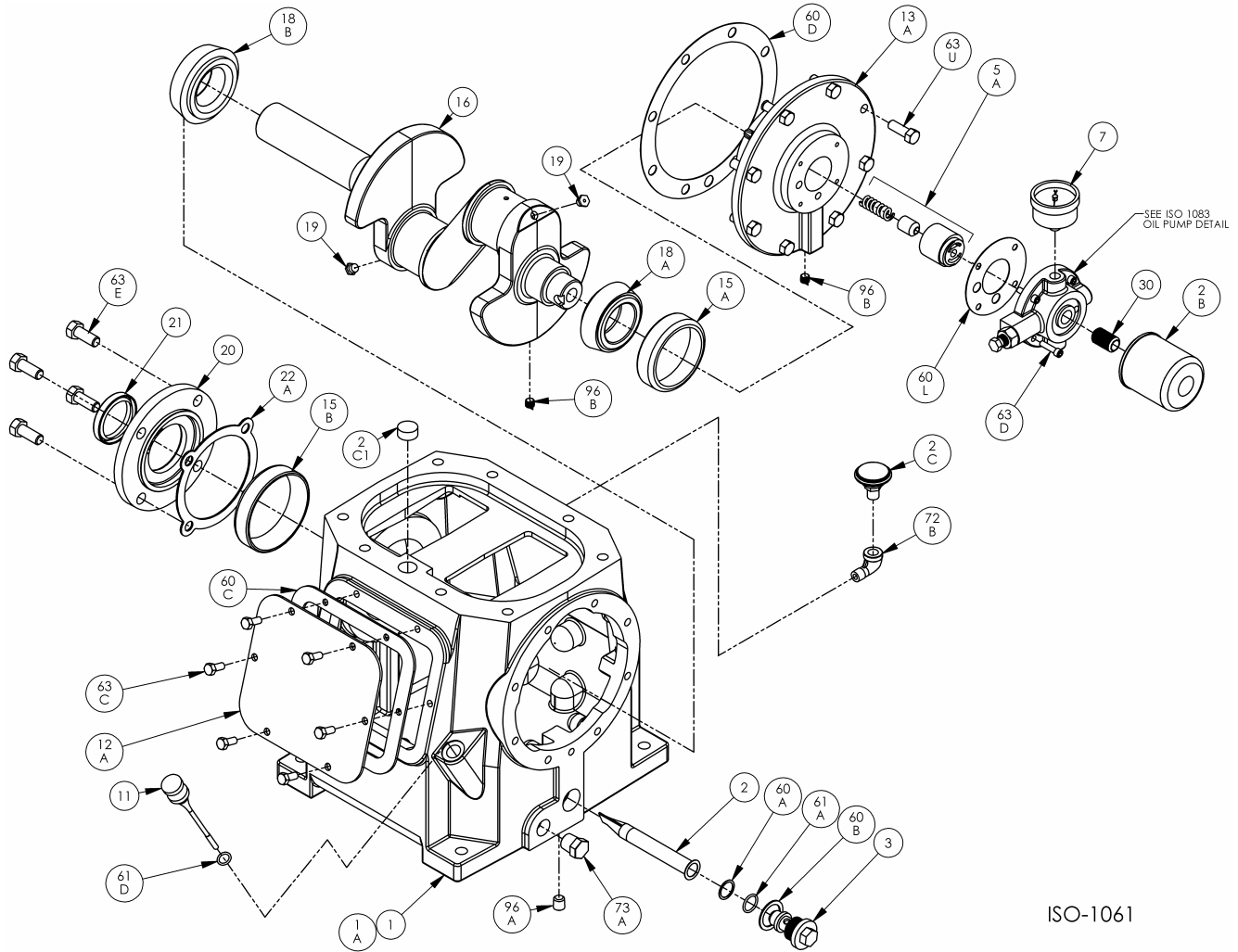
Gasket Sets and Special Tools

Gasket Set	Buna-N & Iron	794792
	PTFE & Iron	794793
	FKM & Iron	794794
	Neoprene & Iron	794795
	Ethylene Propylene & Iron	794789
Packing Installation Tool		790540
Spanner Wrench, 1/4" Adjustable		790316
Wrench for Valve Holdown Screw		790535

Bulletins Needed For Complete Parts List

This page	9E-231
Crankcase	9F-050
Oil Pump	9G-011
Flywheel	9H-050
Crosshead	9J-121
Packing	9K-061
Cylinder	9L-110
Cylinder with Unloaders	9L-120

Notes:



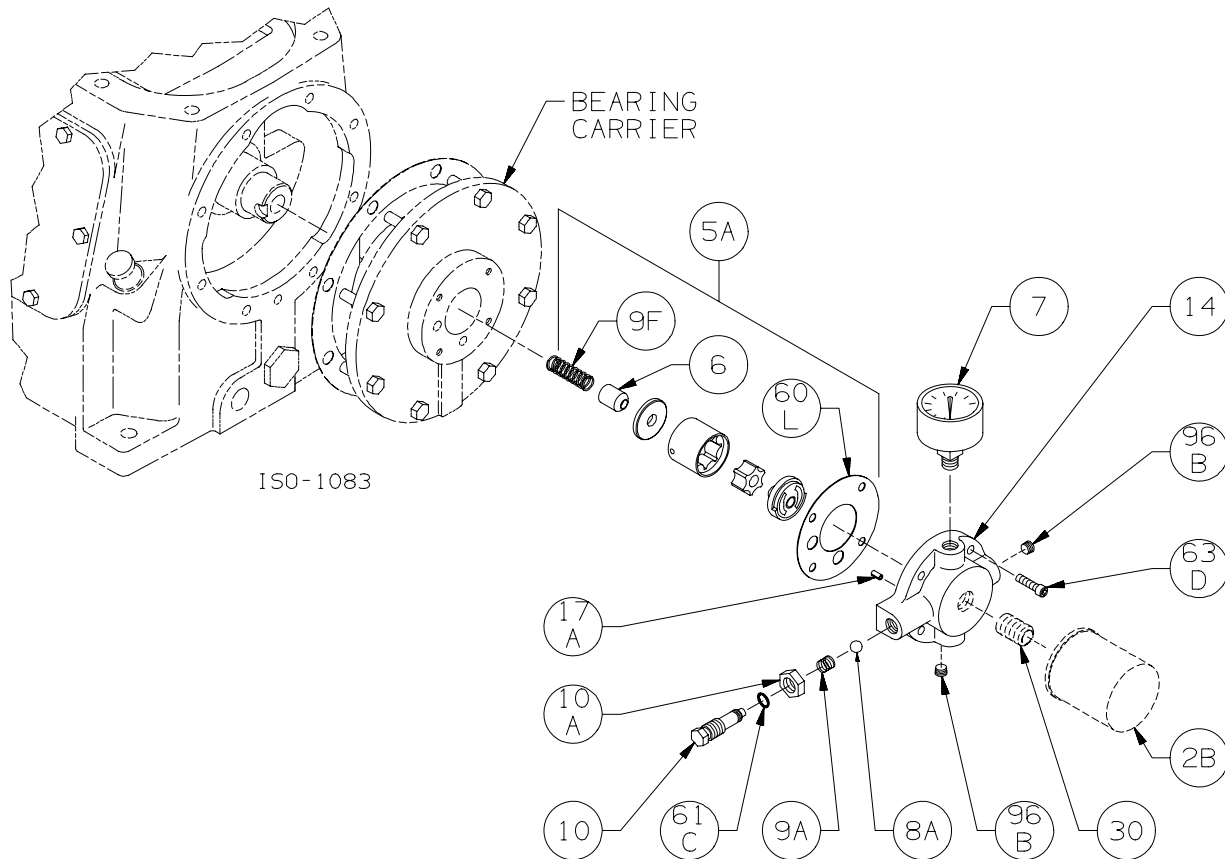
Crankcase Assembly: Models HD942A, HD942B, HDL942A, HDL942B

ISO1056

Ref	Description	Qty	Part No
1	Crankcase Assembly - w\ Oil Filter	1	794758
1A	Crankcase	1	794709
2	Oil Intake Screen	1	792135
2B	Oil Filter	1	794726
2C	Breather Filter (current)	1	792070
2C1	Breather Filter (previous construction)		794752
3	Oil Screen Plug	1	792145
5A	Oil Pump Kit	1	794760
7	Oil Pressure Gauge	1	790012
11	Oil Bayonet Assembly	1	792162
12A	Inspection Plate	1	794140
13A	Bearing Carrier	1	794714
15A	Bearing Cup (Outboard)	1	794131
15B	Bearing Cup (Inboard)	1	794731
16	Crankshaft Assembly (w\ 18A,18B,19,96B)	1	794708
18A	Bearing Cone (Outboard)	1	794130
18B	Bearing Cone (Inboard)	1	794730
19	Orifice	2	792146
20	Bearing Cover Plate	1	794716

Ref	Description	Qty	Part No
21	Oil Seal	1	794732
22A	Bearing Adjustment Shim Kit	1	794733
30	Oil Filter Fitting	1	794725
60A	Gasket - Oil Screen *	1	792136
60B	Gasket - Oil Screen Plug *	1	792123
60C	Gasket - Inspection Plate *	1	794122
60D	Gasket - Bearing Carrier Assembly*	1	794720
60L	Gasket - Oil Pump Cover *	1	794721
61A	O-Ring - Oil Screen *	1	792175
61D	O-Ring - Oil Bayonet *	1	792174
63C	Capscrew - Hex Hd	6	793116
63D	Capscrew - Soc Hd	4	790559
63E	Capscrew - Hex Hd	4	790484
63U	Capscrew - Hex Hd	8	792093
72B	Elbow	1	790453
73A	Pipe Plug	1	790024
96A	Pipe Plug	1	790488
96B	Pipe Plug	2	790309

* Included in Gasket Sets



Oil Pump Detail for Models:

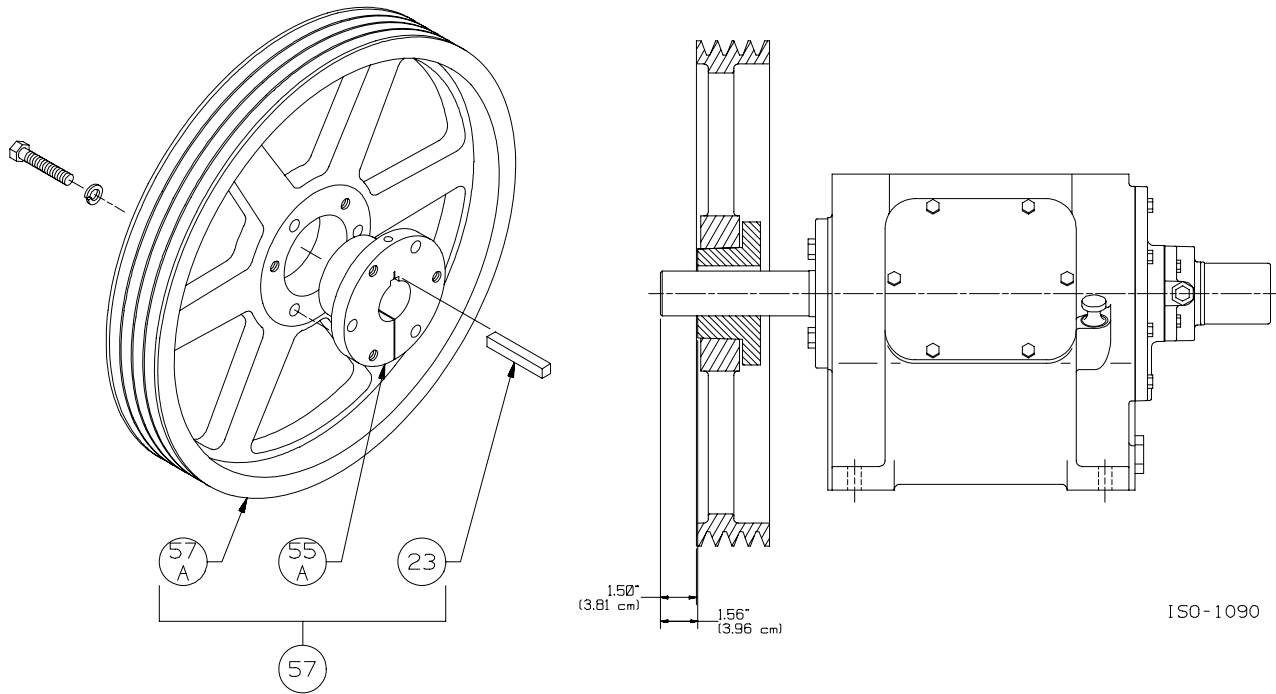
HD161C|B, HD162C|B, HD163C, HDS162C
 HD172C|B, HD173C, HDL172C, HDL173C, HDS172C,
 HDL342C|B, HDL343C|B,
 HD361C|B, HD362C|B, HD363|B, HDS362C, HDL362C|B, HDL363C|B,
 HD372C|B, HDL372C|B, HD373C, HDL373C|B, HDS372C
 HD601B, HD602C|B, HD603C|B, HDL602C|B, HDL603C|B, HDS602C, HDL642C|B, HDL643C|B,
 HD612C|B, HDL612C|B, HD613C|B, HDL613C|B, HDS612C|B
 HD942B|A and HDL942B|A

ISO1083

Ref	Description	Qty	Part No
2B	Oil Filter	1	794726
5A	Oil Pump Kit (w/ 6, 9F, 60L)		794760
6	Oil Pump Cone	1	794750
7	Oil Pressure Gauge	1	790012
8A	Oil Pressure Adj. Ball	1	792154
9A	Oil Pressure Adj. Spring	1	792153
9F	Oil Pump Spring	1	794751
10	Oil Pressure Adj. Screw	1	792148
10A	Locknut	1	792152

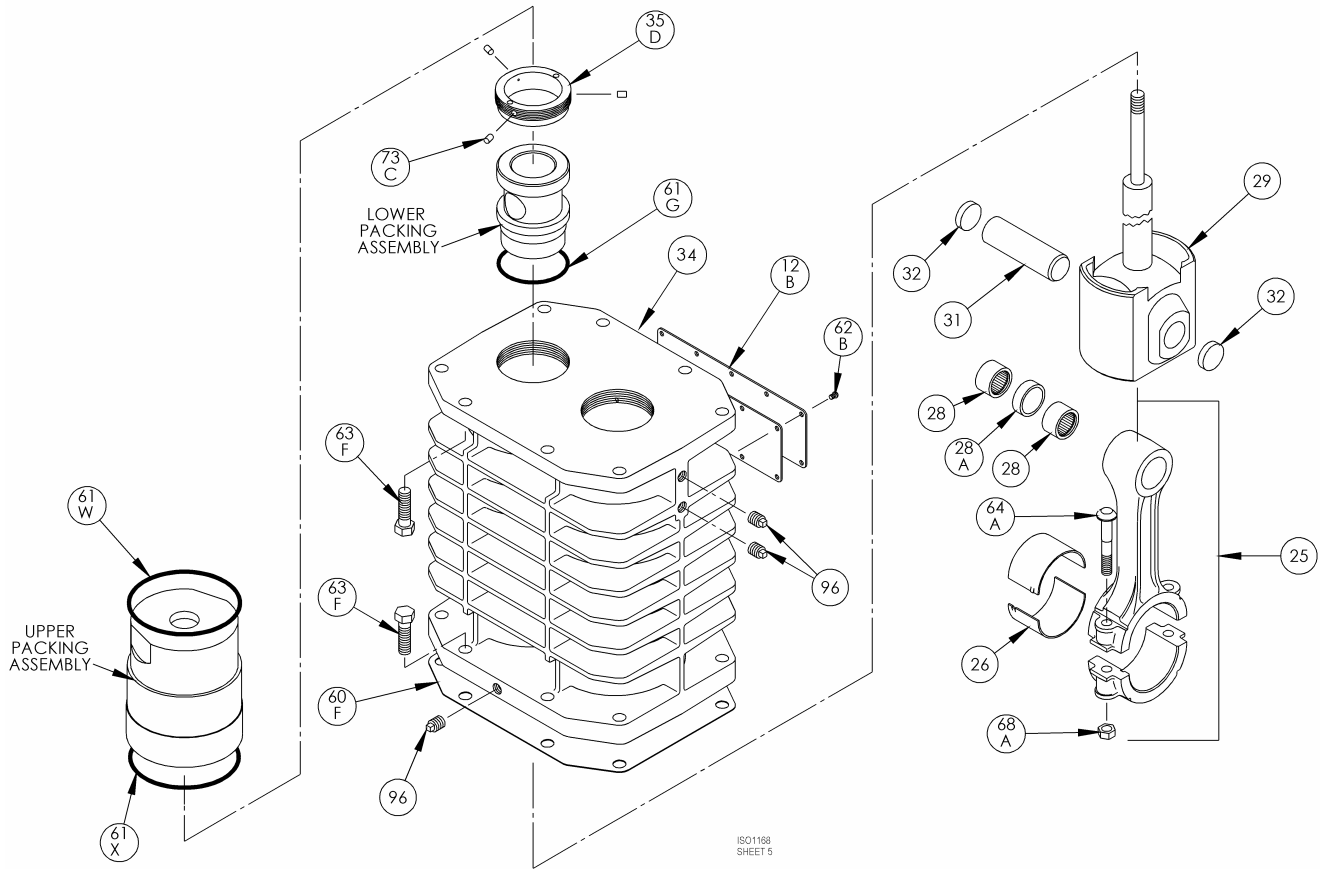
Ref	Description	Qty	Part No
14	Oil Pump Cover Assembly - For Filter	1	794764
	with 17A, 96B		
	Oil Pump Cover Assembly - w/ 17A, 96B		794763
17A	Roll Pin	1	794753
30	Oil Filter Fitting	1	794725
60L	Gasket - Oil Pump Cover *	1	794721
61C	O-Ring - Adjusting Screw *	1	792168
63D	Capscrew - Soc. Hd	4	790559
96B	Pipe Plug	2	790309

* Included in Gasket Sets



Flywheel Assembly:
 HD942B, HD942A, HDL942B, HDL942A ISO1090

Ref	Description	Qty	Part No
23	Key	1	794267
55A	Hub	1	790505
57	Flywheel Assembly	1	794755
57A	Flywheel	1	790539



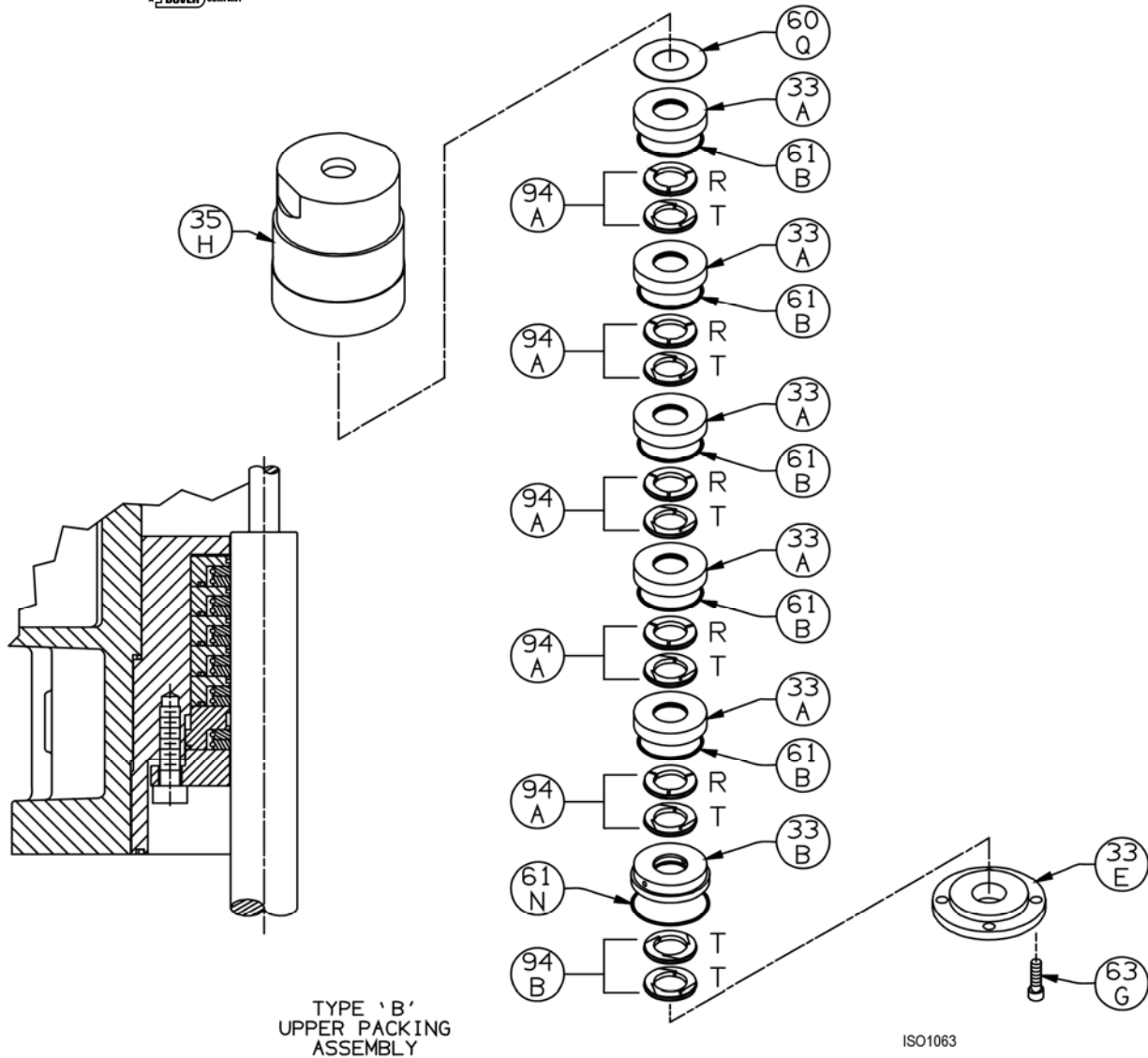
Crosshead Assembly: HD942B, HDL942B

ISO1068-5

Ref	Description	Qty	Part No
12B	Inspection Plate	1	794093
25	Connecting Rod Assembly	2	794767
26	Connecting Rod Bearing	2	794710
28	Wrist Pin Bearing	4	794776
28A	Bearing Spacer	2	794770
29	Crosshead Assembly	2	794723
31	Wrist Pin	2	794727
32	Wrist Pin Plug	4	794724
34	Crosshead Guide	1	794430
35D	Hold-down Ring	2	794220
	Hold-down Ring TNT-12		792839
60E	Gasket - Inspection Plate *	1	794092
60F	Gasket - Crankcase *	1	794121
61G	O-Ring (Buna-N) Std *	2	794082
	O-Ring (FKM) *		794213
	O-Ring (PTFE) *		794208
	O-Ring (Neoprene) *		794090
	O-Ring (Ethylene Propylene) *		794206

Ref	Description	Qty	Part No
61W	O-Ring (Buna-N) Std *	2	792315
	O-Ring (FKM) *		792316
	O-Ring (PTFE) *		792317
	O-Ring (Neoprene) *		792318
	O-Ring (Ethylene Propylene) *		792319
61X	O-Ring (Buna-N) Std *	2	792252
	O-Ring (FKM) *		792253
	O-Ring (PTFE) *		792254
	O-Ring (Neoprene) *		792255
	O-Ring (Ethylene Propylene) *		792256
62B	Machine Screw - Inspection Plate	10	793096
63F	Capscrew - Hex Hd	16	794094
64A	Connecting Rod Bolt	4	794012
68A	Connecting Rod Bolt Nut	4	794013
73C	Lock Plug *	6	794028
96	Pipe Plug	4	793498

*Included in Gasket Sets



TYPE 'B'
UPPER PACKING
ASSEMBLY

ISO1063

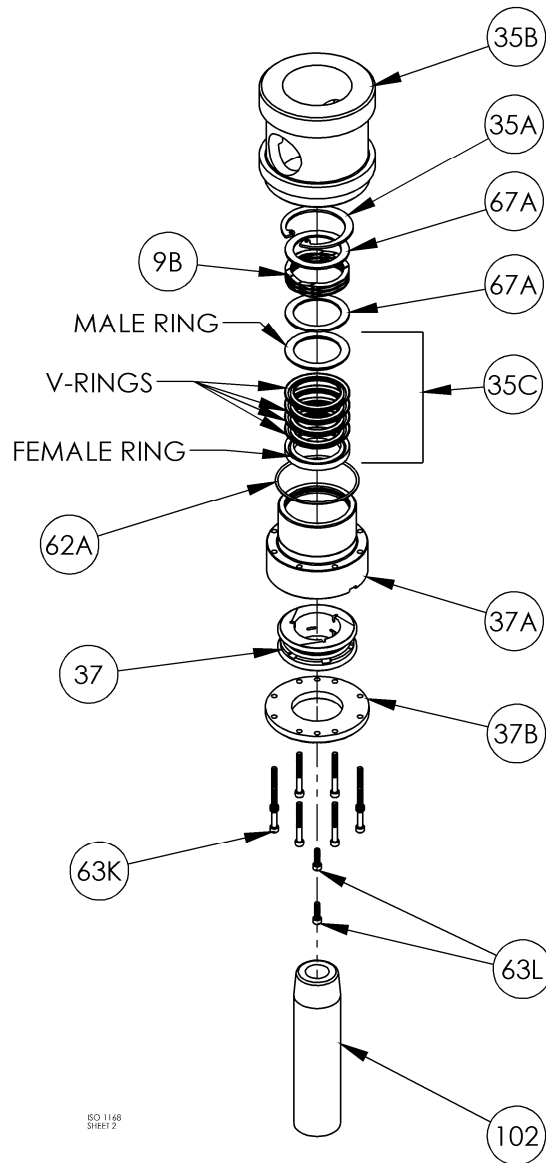
Upper Packing Assembly, Type 'B': HD942B, HDL942B

ISO1063

Ref	Description	Qty	Part No
33A	Packing Cup	10	794741
	Packing Cup TNT-12		792862
33B	Packing Cup	2	794742
	Packing Cup TNT-12		792863
33E	Packing Gland	2	794740
	Packing Gland TNT-12		792861
35H	Packing Box - Upper	2	794738
	Packing Box - Upper TNT-12		792859
60Q	Gasket - Packing Cup *	2	794754

*Included in Gasket Sets

Ref	Description	Qty	Part No
61B	O-Ring (Buna-N) Std *	10	792260
	O-Ring (FKM) *		792261
	O-Ring (PTFE) *		792262
	O-Ring (Neoprene) *		792263
	O-Ring (Ethylene Propylene) *		792264
61N	O-Ring (Buna-N) Std *	2	792224
	O-Ring (FKM) *		792225
	O-Ring (PTFE) *		792226
	O-Ring (Neoprene) *		792227
	O-Ring (Ethylene Propylene) *		792233
63G	Capscrew - Socket Hd	8	790483
94A	Packing Ring - R/T	10	794746
94B	Packing Ring - T/T	2	794747



ISO 1168
SHEET 2

Lower Packing Box Detail : HD942B, HDL942B

ISO1168-2

Ref	Description	Qty	Part No
9B	Packing Spring	2	794041
35A	Retainer Ring	2	794080
35B	Packing Box - Lower Packing Box - Lower TNT-12	2	794772 794774
35C	Packing Set	2	794498
37	S3R Seal	2	794456
37A	Seal Cup Seal Cup - TNT-12	2	794455 794462
37B	Seal Cup Cover	2	794454

Ref	Description	Qty	Part No
62A	O-Ring (Buna-N) *	2	792311
	O-Ring (FKM) *		792313
	O-Ring (PTFE) *		792312
	O-Ring (Neoprene) *		792314
	O-Ring (Ethylene Propylene) *		792320
63K	Capscrew - Socket Hd	16	794460
63L	Capscrew - Socket Hd	4	794461
67A	Washer - Packing Box	4	794084
102	Packing Installation Tool	1	790540

*Included in Gasket Sets

Refer to the Compressor IOM for proper orientation of components.

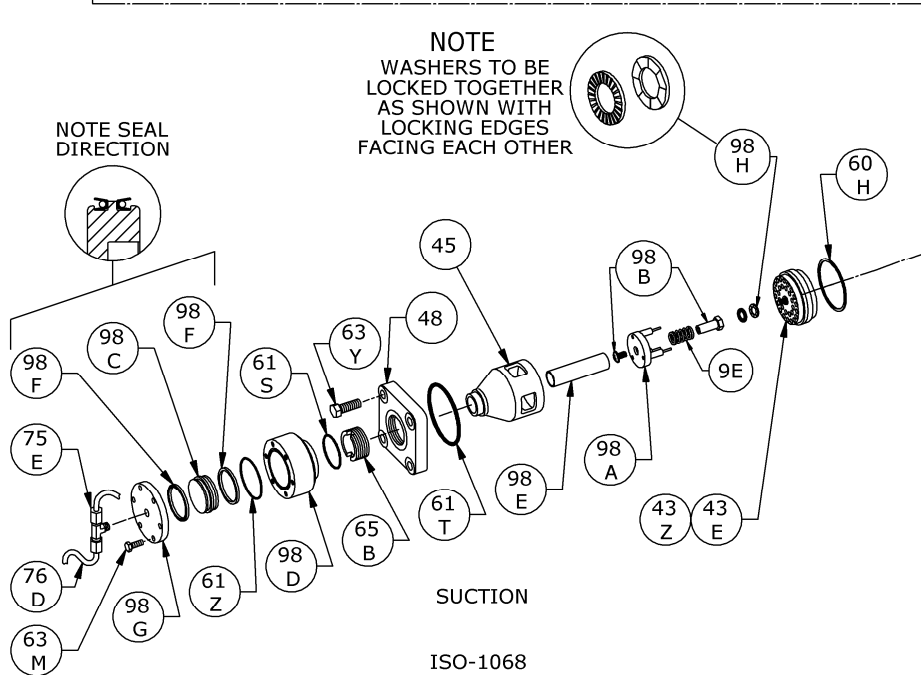
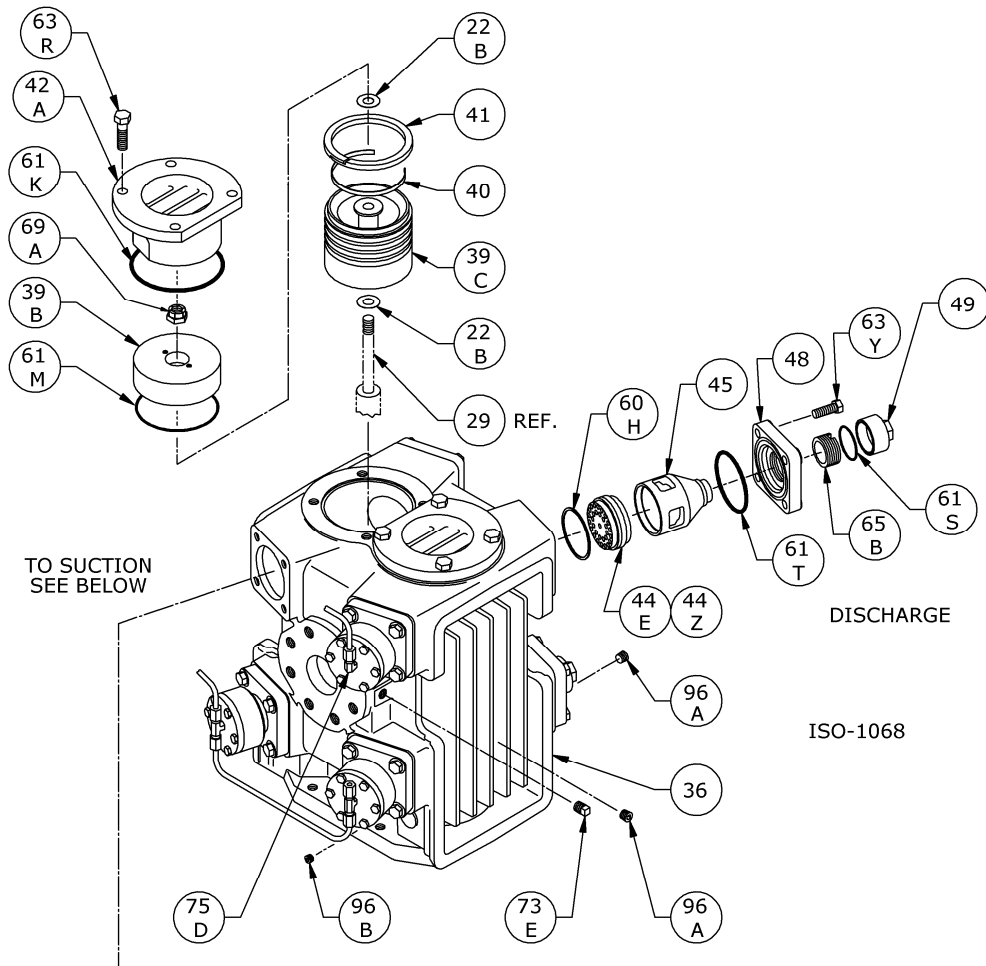
Cylinder Assembly: HD942B, HD942A

ISO1059

Ref	Description	Qty	Part No
22B	Piston Shim - 0.015 Piston Shim - 0.007	AR AR	794762 794761
36	Cylinder Cylinder TNT-12	1	794704 792855
39B	Piston Cap Piston Cap TNT-12	2	794719 792853
39C	Piston Piston TNT-12	2	794718 792854
40	Expander	8	793614
41	Piston Ring - Std Piston Ring - Poly Filled	8	793610 793612
42A	Head	2	794702
42A	Head TNT-12		792856
43E	Suction Valve Assembly Suction Valve Assembly TNT-12 Suction Valve Assy, Stainless Steel	4	793659 792872 793629
43Z	Valve Repair Kit - For 793659/793679 Valve Repair Kit - For 793629		793660 793630
44E	Discharge Valve Assembly Discharge Valve Assembly TNT-12 Discharge Valve Assy, Stainless Steel	4	793679 792873 793649
44Z	Valve Repair Kit - For 793659/793679 Valve Repair Kit - For 793649		793660 793650
45	Cage Cage TNT-12	8	794620 792835
48	Valve Cover Plate Valve Cover Plate TNT-12	8	794284 792817
49	Valve Cap Valve Cap TNT-12	8	792003 792804
60H	Gasket - Valve *	8	794198

Ref	Description	Qty	Part No
61K	O-Ring (Buna-N) Std * O-Ring (FKM) * O-Ring (PTFE) * O-Ring (Neoprene) * O-Ring (Ethylene Propylene) *	2	792315 792316 792317 792318 792319
61M	O-Ring (Buna-N) Std * O-Ring (FKM) * O-Ring (PTFE) * O-Ring (Neoprene) * O-Ring (Ethylene Propylene) *	2	792060 792061 792062 792063 792075
61S	O-Ring (Buna-N) Std * O-Ring (FKM) * O-Ring (PTFE) * O-Ring (Neoprene) * O-Ring (Ethylene Propylene) *	8	792306 792308 792307 792309 792310
61T	O-Ring (Buna-N) Std * O-Ring (FKM) * O-Ring (PTFE) * O-Ring (Neoprene) * O-Ring (Ethylene Propylene) *	8	792112 792213 792210 792110 792206
63R	Capscrew - Hex Hd	8	794097
63Y	Capscrew - Hex Hd	32	793094
65B	Valve Holddown Screw Valve Holddown Screw TNT-12	8	792002 792806
69A	Piston Nut Piston Nut TNT-12	2	790487 792857
73E	Pipe Plug - 1/4	4	793498
96A	Pipe Plug - 1/4 Socket	4	790488
96B	Pipe Plug - 1/8 Socket	2	790309

* Included in Gasket Sets



Cylinder with Unloader Assembly: HD942B, HD942A

Cylinder with Unloader Assembly: HD942B, HD942A

ISO1068

Ref	Description	Qty	Part No
9E	Unloader Spring	4	793293
22B	Piston Shim - 0.015	AR	794762
	Piston Shim - 0.007	AR	794761
36	Cylinder	1	794704
	Cylinder TNT-12		792855
39B	Piston Cap	2	794719
	Piston Cap TNT-12		792853
39C	Piston	2	794718
	Piston TNT-12		792854
40	Expander	8	793614
41	Piston Ring - Std	8	793610
	Piston Ring - Poly Filled		793612
42A	Head	2	794702
	Head TNT-12		792856
43E	Suction Valve Assembly	4	793659
	Suction Valve Assembly TNT-12		792872
	Suction Valve Assy, Stainless Steel		793629
43Z	Valve Repair Kit - For 793659/793679		793660
	Valve Repair Kit - For 793629		793630
44E	Discharge Valve Assembly	4	793679
	Discharge Valve Assembly TNT-12		792873
	Discharge Valve Assy, Stainless Steel		793649
44Z	Valve Repair Kit - For 793659/793679		793660
	Valve Repair Kit - For 793649		793650
45	Cage	8	794620
	Cage TNT-12		792835
48	Valve Cover Plate	8	794284
	Valve Cover Plate TNT-12		792817
49	Valve Cap	4	792003
	Valve Cap TNT-12		792804
60H	Gasket - Valve *	8	794198
61K	O-Ring (Buna-N) Std *	2	792315
	O-Ring (FKM) *		792316
	O-Ring (PTFE) *		792317
	O-Ring (Neoprene) *		792318
	O-Ring (Ethylene Propylene) *		792319
61M	O-Ring (Buna-N) Std *	2	792060
	O-Ring (FKM) *		792061
	O-Ring (PTFE) *		792062
	O-Ring (Neoprene) *		792063
	O-Ring (Ethylene Propylene) *		792064

Ref	Description	Qty	Part No
61S	O-Ring (Buna-N) Std *	8	792306
	O-Ring (FKM) *		792308
	O-Ring (PTFE) *		792307
	O-Ring (Neoprene) *		792309
	O-Ring (Ethylene Propylene) *		792310
61T	O-Ring (Buna-N) Std *	8	792112
	O-Ring (FKM) *		792213
	O-Ring (PTFE) *		792210
	O-Ring (Neoprene) *		792110
	O-Ring (Ethylene Propylene) *		792206
61Z	O-Ring (Buna-N) Std *	4	792311
	O-Ring (FKM) *		792313
	O-Ring (PTFE) *		792312
	O-Ring (Neoprene) *		792314
	O-Ring (Ethylene Propylene) *		792320
63M	Capscrew - Hex Hd	24	790053
63R	Capscrew - Hex Hd	8	794097
63Y	Capscrew - Hex Hd	32	793094
65B	Valve Holddown Screw	8	792002
65B	Valve Holddown Screw TNT-12		792806
69A	Piston Nut	2	790487
	Piston Nut TNT-12		792857
73E	Pipe Plug - 1/4	4	793498
75D	Tube Elbow	1	790355
75E	Tube Tee	3	790356
76D	Tube	3	790192
96A	Pipe Plug - 1/4 Socket	4	790488
96B	Pipe Plug - 1/8 Socket	2	790309
98A	Actuator Assembly	4	794296
	Actuator Assembly, for SS Valve		794298
98B	Unloader Post w/bolt ¹	4	793291
	Unloader Post w/bolt ¹ , for SS Valve		794291
98C	Unloader Piston	4	793288
98D	Unloader Body	4	793286
98E	Unloader Plunger	4	794290
98F	Unloader Seal	8	792284
98H	Lockwasher (2 piece)	4	793473
98G	Unloader Cap	4	793287

* Included in Gasket Sets

¹ Unloader Post with bolt replaces earlier style unloader post with retainer ring.

Suggested Spare Parts for HD942B and HDL942B Compressors:

HD942B Part #	HDL942B Part #	Description	Qty./ Unit	Comm. Qty.	Spare Qty.
794792	794796	Gasket Set - Buna-N, Iron	1	1	1
794793	794797	Gasket Set - PTFE, Iron *			
794794	794798	Gasket Set - FKM, Iron *			
794795	794799	Gasket Set - Neoprene, Iron *			
794789	794790	Gasket Set - Ethylene Propylene, Iron *			
793660	793660	Suction Valve Repair Kit	4		4
793630	793630	Suction Valve Repair Kit - Stainless Steel *			
793660	793660	Discharge Valve Repair Kit	4		4
793650	793650	Discharge Valve Repair Kit - Stainless Steel *			
792284	792284	Unloader Seal *	8		8
793610	793610	Piston Ring	8	8	8
793612	793612	Piston Ring - Poly Filled *			
793614	793614	Piston Ring Expander	8		8
794746	794746	Upper Packing Ring - R/T	10	10	10
794747	794747	Upper Packing Ring - T/T	2	2	2
794498	794498	Lower Packing Set	2	2	2
790540	790540	Packing Installation Tool	1		1
794726	794726	Oil Filter	1	1	6
794727	794727	Wrist Pin	2		2
794776	794776	Wrist Pin Roller Bearing	4	4	4
794710	794710	Conrod Bearing	2	2	2
The following parts would normally be required only for major compressor overhaul.					
794730	794730	Inboard Bearing Cone	1		1
794731	794731	Inboard Bearing Cup	1		1
794130	794130	Outboard Bearing Cone	1		1
794131	794131	Outboard Bearing Cup	1		1
794723	794723	Crosshead Assembly	2		1
794767	794767	Conrod Assembly	2		1
794456	794456	S3R Seal	2		2
794760	794760	Oil Pump Repair Kit	1		
794708	794708	Crankshaft Assembly	1		
794733	794733	Bearing Adjustment Shim Kit	1		
794704	794703	Cylinder	1		
792855	792865	Cylinder – TNT-12 *			

* Optional Equipment on New Compressors