

Suggested Spare Parts for LB602 and LB602A compressors:

Part #	Description	Qty./ Unit	Comm. Qty.	Spare Qty.
794598	LB602A Gasket Set - Buna-N, Aluminum	1	1	1
794599	LB602 Gasket Set - Buna-N, Aluminum			
794259	Suction Valve Sub-Assembly	2		2
794279	Discharge Valve	2		2
794024	Piston Ring	6	6	6
794025	Piston Ring Expander	6	6	6
794499	Packing Set	4	4	4
790004	Oil Filter (Package of 6) *	1		1
794004	Wrist Pin	2		2
793003	Wrist Pin Bushing	2	2	2
794002	Conrod Bearing	2	2	2
The following parts would normally be required only for major compressor overhaul.				
794130	Inboard Bearing Cone	1		1
794131	Inboard Bearing Cup	1		1
793142	Outboard Bearing Cone	1		1
793126	Outboard Bearing Cup	1		1
794429	Crosshead Assembly	2		1
794009	Conrod Assembly	2		1
798856	Oil Pump Repair Kit	1		
794159	Crankshaft Assembly	1		
794033	Bearing Adjustment Shim Kit	1		
794103	LB602A Cylinder	1		
794401	LB602 Cylinder			

* Optional Equipment on New Compressors



LB602 and LB602A PARTS LIST

Serial # _____

ID# _____

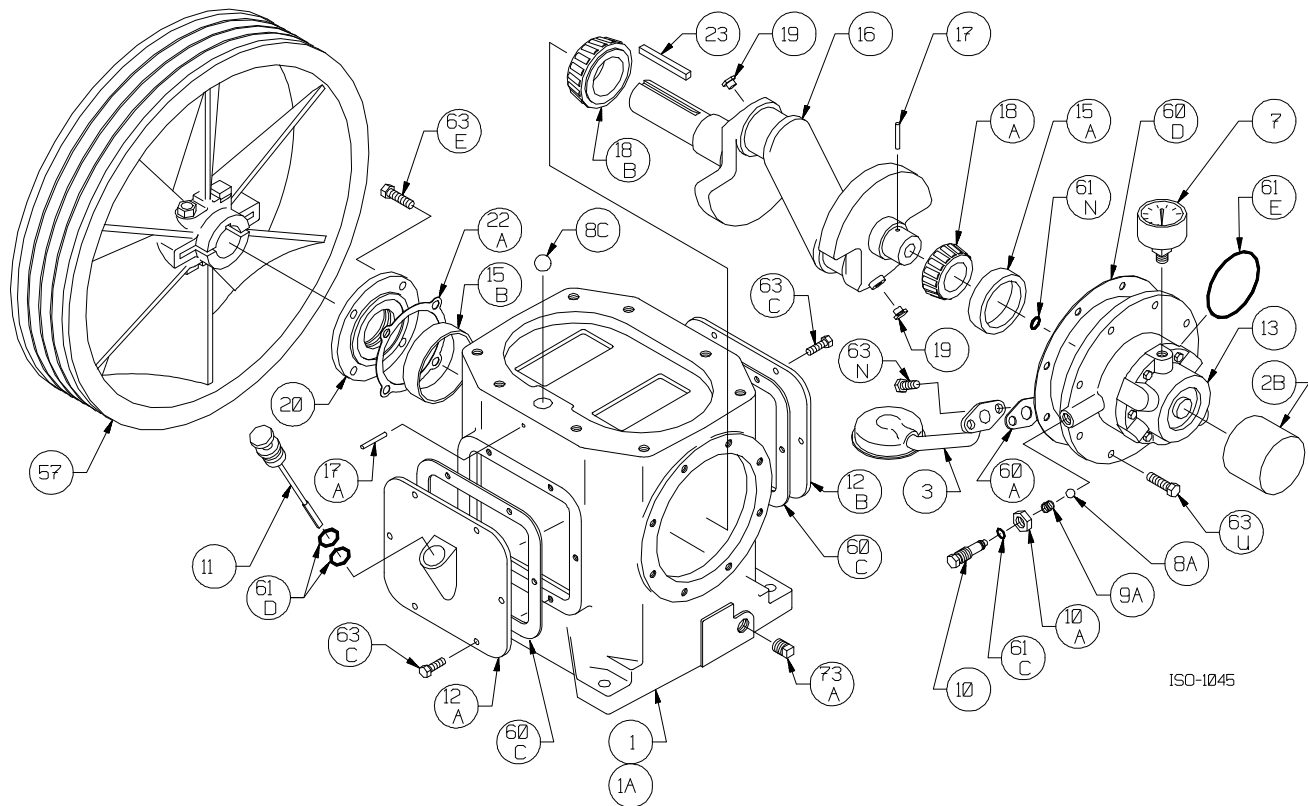
Gasket Set and Special Tools

Gasket Set (Buna-N & Aluminum)	LB602	794599
	LB602A	794598
Packing Installation Tool		790538
Spanner Wrench, 1/4" Adjustable		790316
Wrench for Valve Holdown Screw		790535
Tool Kit		790199

Bulletins Needed For Complete Parts List

	LB602	LB602A
This page	5E-060	5E-060
Crankcase	5F-030	5F-030
Oil Pump	5G-010	5G-010
Crosshead	5J-002	5J-060
Cylinder	5L-002	5L-041
Head	5M-002	5M-030

Notes:



ISO-1045

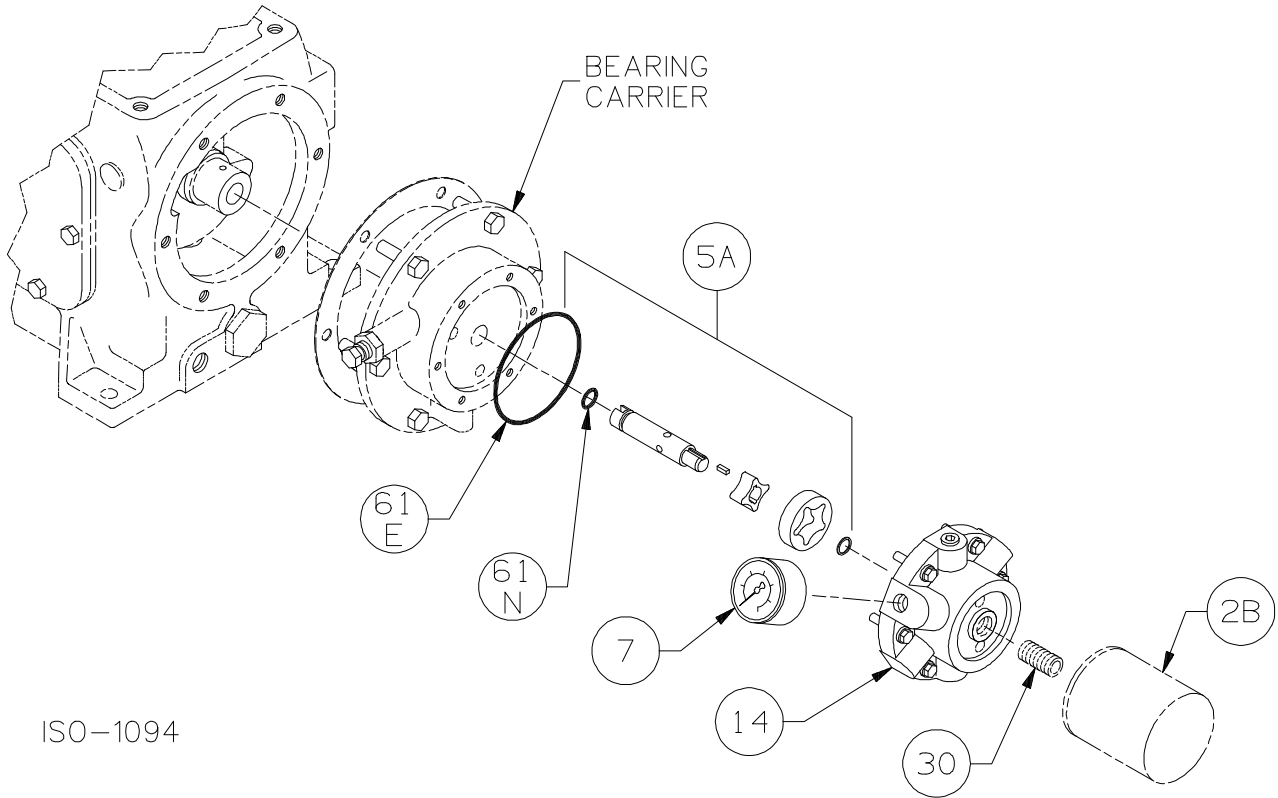
Crankcase Assembly: Models LB601, LB601A, LB602, LB602A

ISO1045

Ref	Description	Qty	Part No
1	Crankcase Assembly (less flywheel)	1	794119
1A	Crankcase	1	794138
2B	Oil Filter (Package of 6)	1	790004
3	Oil Strainer Assembly	1	794169
7	Oil Pressure Gauge	1	790012
8A	Oil Pressure Adjusting Ball	1	792154
8C	Breather Ball	1	794156
9A	Oil Pressure Adjusting Spring	1	792153
10	Oil Pressure Adjusting Screw	1	792148
10A	Locknut	1	792152
11	Oil Bayonet Assembly	1	794199
12A	Inspection Plate - Bayonet	1	794141
12B	Inspection Plate - Plain	1	794140
13	Bearing Carrier Assembly Bearing Carrier Assy. with Oil Filter	1	794219 794223
15A	Bearing Cup (Outboard)	1	793126
15B	Bearing Cup (Inboard)	1	794131
16	Crankshaft Assembly (w\ 18A,18B & 19)	1	794159
17	Oil Pump Drive Pin	1	794146
18A	Bearing Cone (Outboard)	1	793142

Ref	Description	Qty	Part No
18B	Bearing Cone (Inboard)	1	794130
19	Orifice	2	792146
20	Bearing Cover Plate	1	794137
22A	Bearing Adjustment Shim Kit	1	794033
23	Key	1	794166
57	Flywheel Assembly	1	794128
60A	Gasket - Oil Strainer Assembly *	1	794123
60C	Gasket - Inspection Plate *	2	794122
60D	Gasket - Bearing Carrier Assy. *	1	794124
61C	O-Ring - Adjusting Screw *	1	792168
61D	O-Ring - Oil Bayonet *	2	794163
61E	O-Ring - Oil Pump Cover *	1	792186
61N	O-Ring - Oil Pump Shaft *	1	792174
63C	Capscrew - Hex Hd	12	793116
63E	Capscrew - Hex Hd	4	793158
63N	Capscrew - Hex Hd	2	792093
63U	Capscrew - Hex Hd	8	792093
73A	Pipe Plug	1	790024

* Included in Gasket Sets



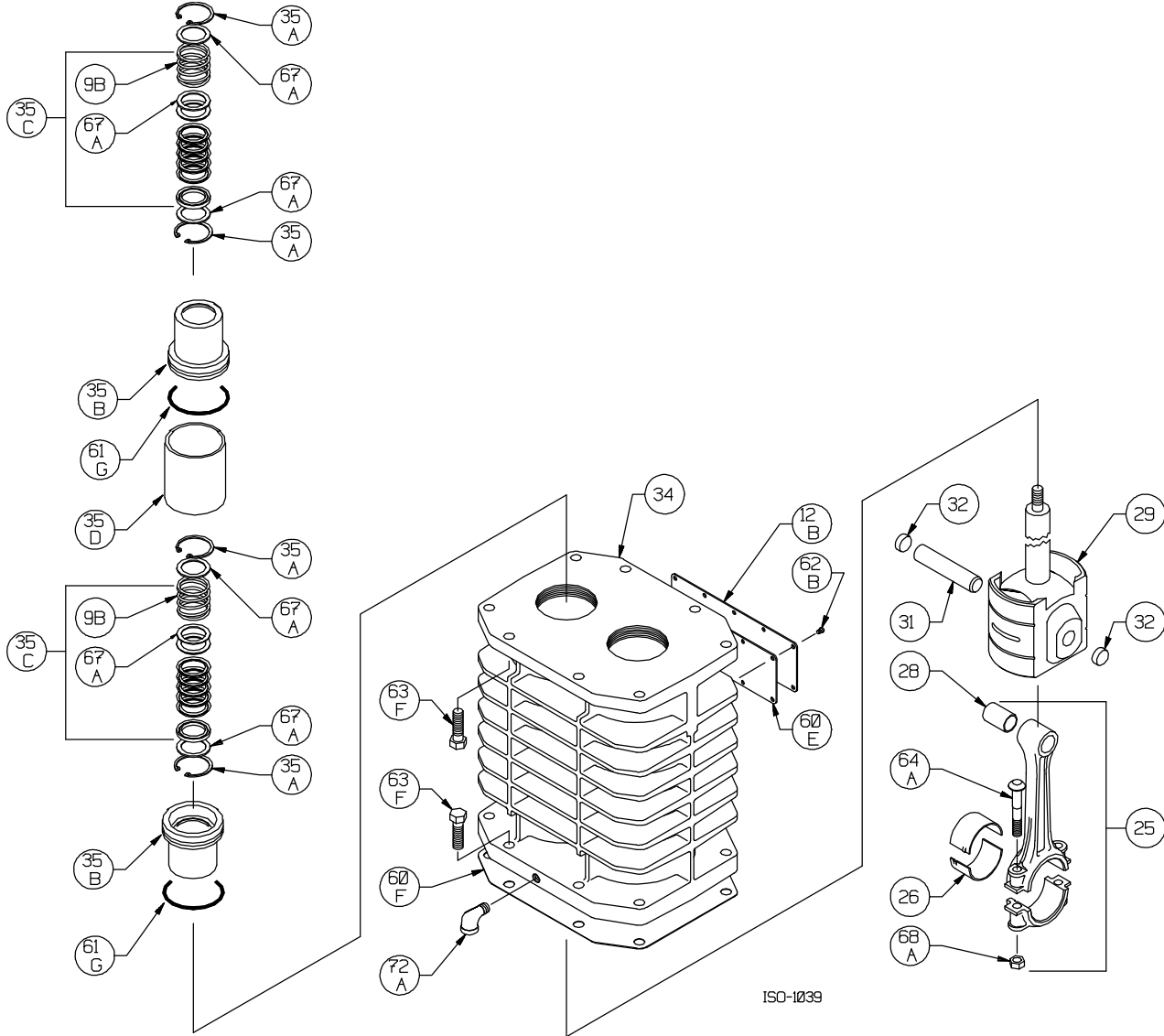
ISO-1094

Oil Pump Detail: Models LB161, LB162,
LB361, LB361A, LB362, LB362A, LB362B
LB601, LB601A, LB602, LB602A

S1094

Ref	Description	Qty	Part No
2B	Oil Filter (Package of 6)	1	790004
5A	Oil Pump Kit (w/ 61E, 61N)	1	798855
	LB161, LB162, LB361, LB361A, LB362, LB362A, LB362B	1	798856
	LB601, LB601A, LB602, LB602A		
7	Oil Pressure Gauge	1	790012
14	Oil Pump Cover	1	792181
	Oil Pump Cover - For Filter		790001
30	Oil Filter Fitting	1	790002
61E	O-Ring - Oil Pump Cover *	1	792186
61N	O-Ring - Oil Pump Shaft *	1	792174

* Included in Gasket Sets



Crosshead Assembly: LB602

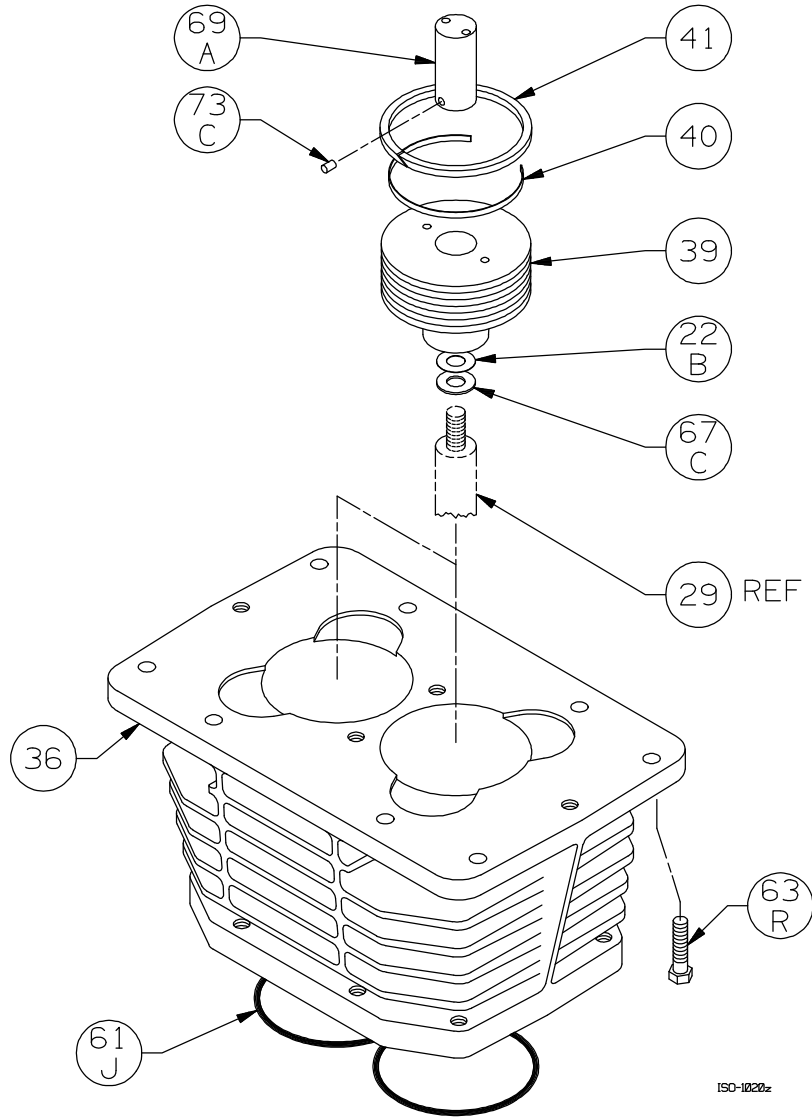
Ref	Description	Qty	Part No
9B	Packing Spring	4	794083
12B	Inspection Plate	1	794093
25	Connecting Rod Assembly	2	794009
26	Connecting Rod Bearing	2	794002
28	Wrist Pin Bushing **	2	793003
29	Crosshead Assembly	2	794429
31	Wrist Pin	2	794004
32	Wrist Pin Plug	4	792178
34	Crosshead Guide	1	794491
35A	Retainer Ring	8	794080
35B	Packing Box	4	794481
35C	Packing Set	4	794499

ISO1039z

Ref	Description	Qty	Part No
35D	Packing Box Spacer	2	794480
60E	Gasket - Inspection Plate *	1	794092
60F	Gasket - Crankcase *	1	794121
61G	O-Ring *	2	794482
62B	Machine Screw - Inspection Plate	10	793096
63F	Capscrew - Hex Hd	16	794094
64A	Connecting Rod Bolt	4	794012
67A	Washer - Packing Box	12	794084
68A	Connecting Rod Bolt Nut	4	794013
72A	Elbow - Vent	1	790453

*Included in Gasket Sets

** Must be honed after installing



ISO1020z

Cylinder Assembly: LB601

Ref	Description	Qty	Part No
22B	Piston Shim	AR	792034
36	Cylinder	1	794101
39	Piston	2	794021
40	Expander	6	794025
41	Piston Ring	6	794024
61J	O-Ring *	2	794126
63R	Capscrew - Hex Hd	8	794096
67C	Thrust Washer	2	792033
69A	Piston Nut	2	794022
73C	Lock Plug *	4	794028

* Included in Gasket Sets

Cylinder Assembly LB602

Ref	Description	Qty	Part No
22B	Piston Shim	AR	794434
36	Cylinder	1	794401
39	Piston	2	794421
40	Expander	6	794025
41	Piston Ring	6	794024
61J	O-Ring *	2	794426
63R	Capscrew - Hex Hd	8	794096
67C	Thrust Washer	2	794433
69A	Piston Nut	2	794422
73C	Lock Plug *	4	794222

* Included in Gasket Sets

