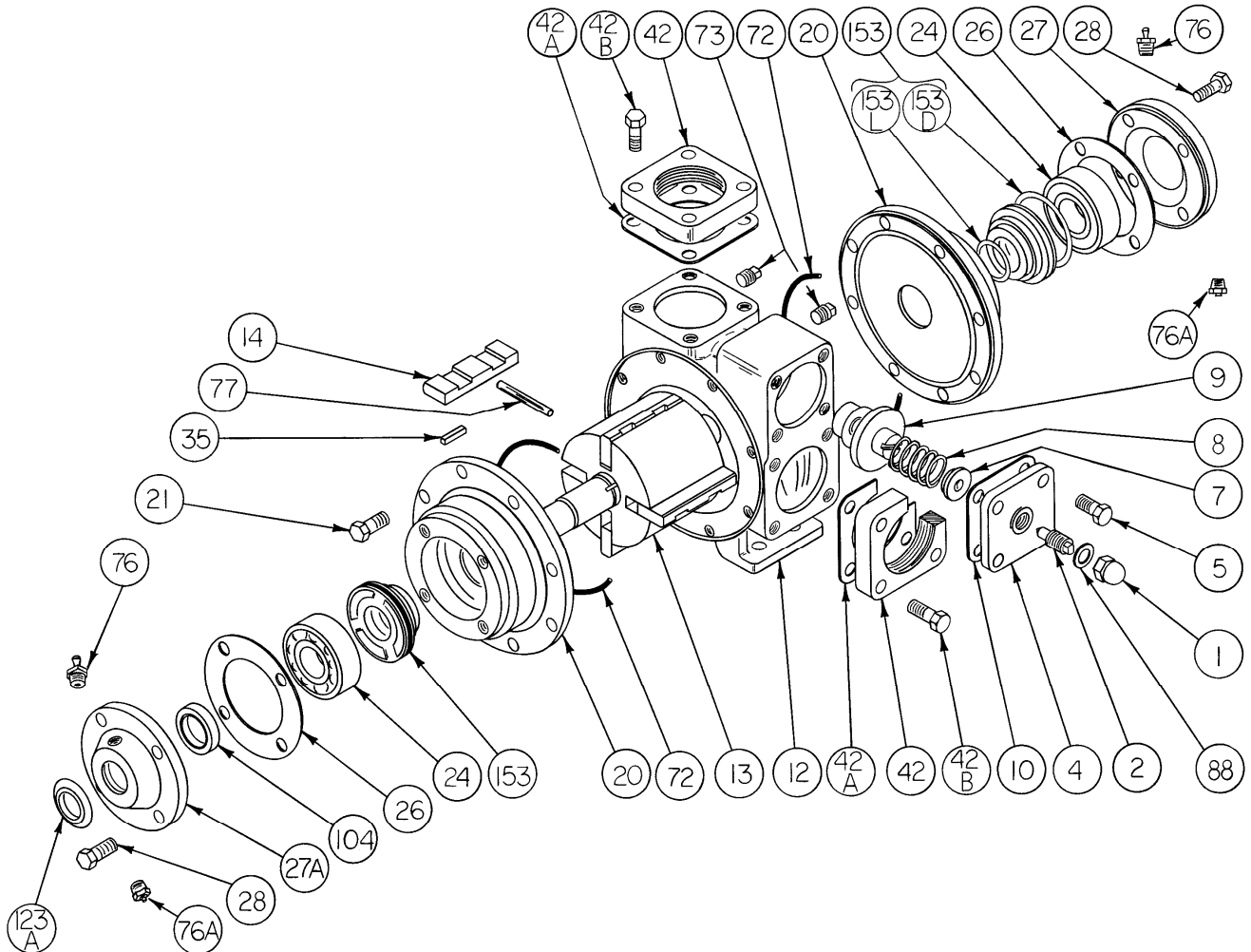


BLACKMER PARTS LIST

PUMP MODEL: X2B

Keep with Instructions 101-B00 for Installation, Operation and Maintenance

Section 101
Effective Jan 2011
Replaces Feb 2010



Ref. No.	Description	Parts per Pump	Part No.	Ref. No.	Description	Parts per Pump	Part No.	
1	Cap - Relief Valve (R/V)	1	411453	21	Capscrews - Head	16	920331	
2	Adjusting Screw - R/V	1	431401	24	Ball Bearing	2	¹ 903156	
4	Cover - R/V	1	411401	26	Gasket - Bearing Cover	2	¹ 383940	
5	Capscrew - R/V Cover	4	920316	27	Bearing Cover - Outboard	1	041433	
7	Spring Guide - R/V	1	423955	27A	Bearing Cover - Inboard	1	041431	
8	Spring - R/V (36-50 psi)	1	471415	28	Capscrews - Bearing Cover	8	920285	
	Spring - R/V (51-75 psi)		471420	35	Key - Shaft, Square	1	^{1,2} 909209	
	Spring - R/V (76-110 psi)		471425	42	Flange - 2" NPT (Std.)*	2	651411	
	Spring - R/V (111-125 psi)		471428	42A	Gasket - NPT Flange (Std.)	2	¹ 381421	
	SS Spring - R/V (76-110 psi)		471427	42B	Capscrews - NPT Flange (Std.)	8	920351	
9	Valve - R/V (Std.)	1	451417	72	O-Ring - Head (FKM) (Std.)	2	¹ 701914	
	Valve - R/V (Nickel Plated)		451415		O-Ring - Head (PTFE)		702242	
10	Gasket - R/V Cover	1	¹ 531403	73	Gage Plug	2	908198	
12	Cylinder	1	021403	76	Grease Fitting	2	317815	
14	Rotor & Shaft	1	261410	76A	Grease Relief Fitting	2	701992	
	Vane - Duravane (Std.)		4	¹ 091419	77	Push Rod	2	¹ 123905
	Vane - EC Cast Iron			093923	88	Gasket - R/V Cap	1	¹ 701981
	Vane - EC Laminate		091429	104	Grease Seal	1	¹ 331918	
20	Head	2	031425	123A	Dirt Shield	1	¹ 701480	
					Kit - Maintenance		898956	

¹ Included in Maintenance Kit

² Maintenance Kit also includes Woodruff Key 909130 used previously

* See Page 2 for Weld & ANSI flange options.

SS = Stainless Steel.

EC = Extra-Clearance.

MECHANICAL SEALS

Ref. No.	Part Name	Parts Per Pump	Part No.
153	Mechanical Seal Complete - (Std.) Cast Iron Stationary Seat, Carbon Seal Face, FKM O-Rings. (IVCV)	2	¹ 331655
	Mechanical Seal Complete - Cast Iron Stationary Seat, PTFE O-Ring, Carbon Seal Face w/ PTFE Seal Ring. (IACT)		331673
	Mechanical Seal Complete - Stainless Steel Stationary Seat, PTFE O-Ring, Carbon Seal Face w/ PTFE Seal Ring. (WACT)		331648
153D	O-Ring - Stationary (FKM)	2	701921
	O-Ring - Stationary (PTFE)		702056
153L	O-Ring - Rotating (FKM)	2	701980
	Seal Ring - Rotating (PTFE)		**

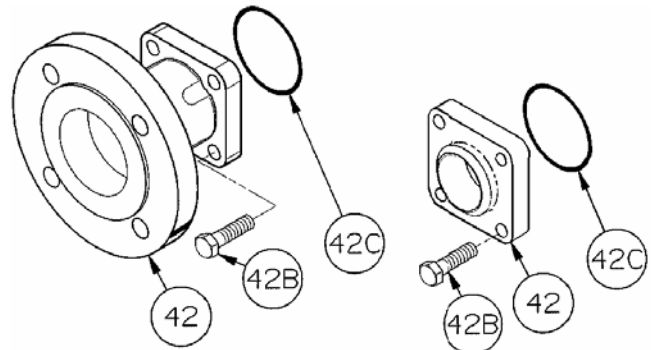
¹ Included in Maintenance Kit

**PTFE Rotating Seal Ring is not available as a separate part.



FLANGE OPTIONS

Ref. No.	Part Name	Parts Per Pump	Part No.
42	Flange - 2" Weld	2	654405
	Flange - 2" ANSI		651417
42B	Capscrews - Weld / ANSI Flange	8	920384
42C	O-Ring - Weld/ANSI Flange (FKM)	2	701921
	O-Ring - Weld/ANSI Flange(PTFE)		702056



ANSI FLANGE

WELD FLANGE

