

BLACKMER PARTS LIST

PUMP MODELS: SNP2.5

SNPJ2.5 *

Keep with Instructions 104-A00 for Installation, Operation and Maintenance

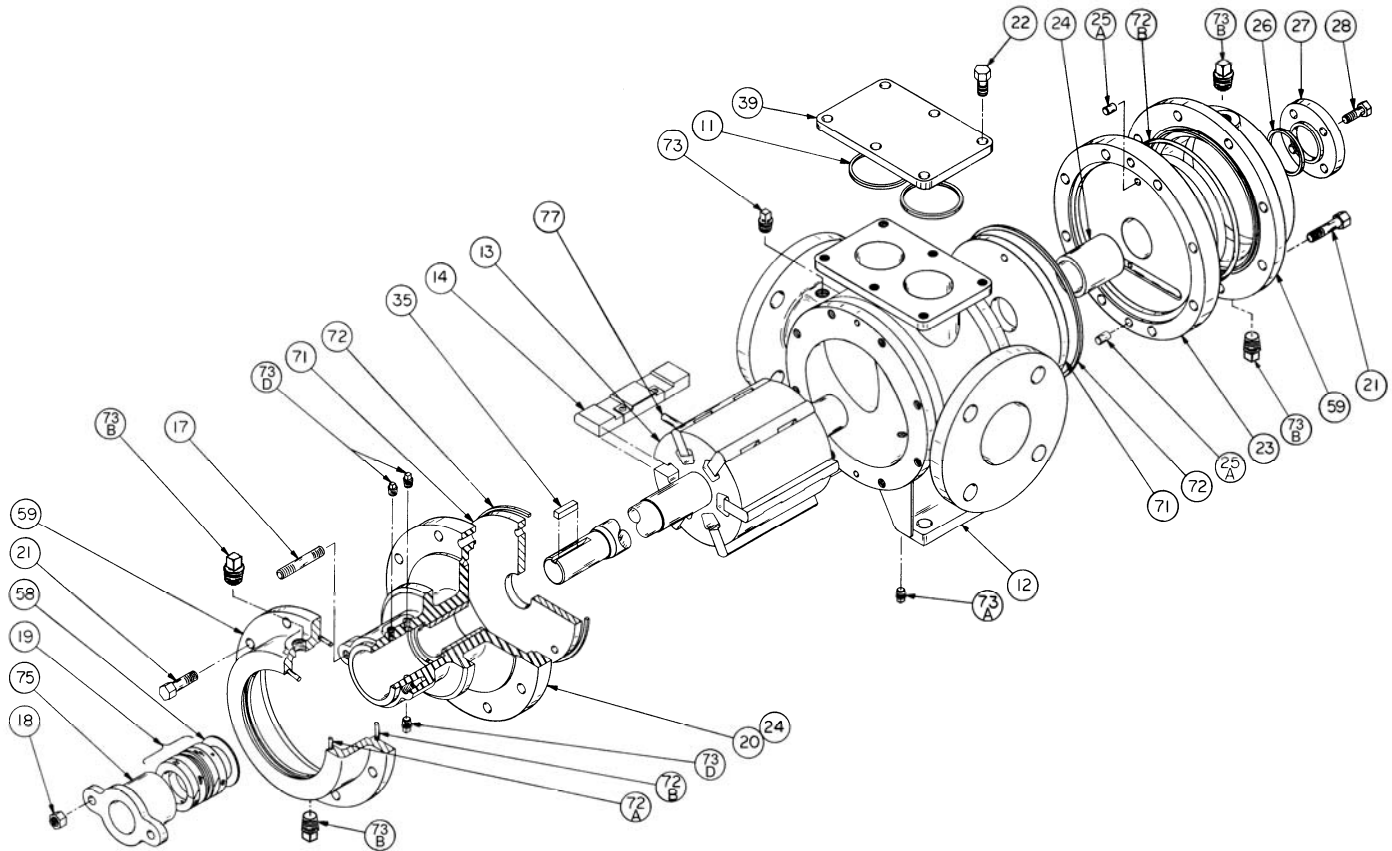
960258

Page 1 of 2

PARTS LIST

104-A03

Section 104
Effective Jan 2012
Replaces May2010



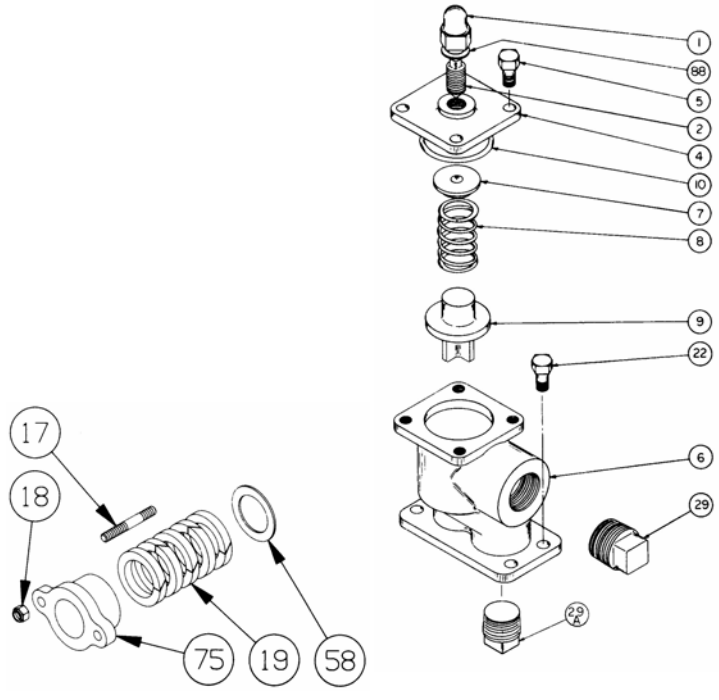
| Ref. No. | Description | Parts per Pump | Part No. | Ref. No. | Description | Parts per Pump | Part No. |
|----------|--------------------------------|----------------|---------------------|----------|------------------------------------|----------------|---------------------|
| 11 | Seal Ring – Blanking Plate | 2 | ¹ 533801 | 39 | Plate – Blanking | 1 | 495301 |
| 12 | Cylinder | 1 | 025301 | 59 | Jackets (Opt.) | 2 | 035311 |
| 13 | Rotor & Shaft | 1 | ² 265301 | 71 | Disc | 2 | ² 065303 |
| 14 | Vane – Duravane (Std.) | 6 | ¹ 091619 | 72 | Seal Ring – Head | 2 | ¹ 385301 |
| | Vane – EC Laminate | | ¹ 091627 | 72A | O-Ring – Inboard Head (jacketed) | 2 | ¹ 711966 |
| 20 | Head & Bushing Asy. – Inboard | 1 | 035309 | 72B | O-Ring – Jacket (jacketed) | 2 | ¹ 702241 |
| 21 | Capscrews – Head (std.) | 16 | 920365 | 73 | Plug (1/4") | 2 | 908193 |
| | Capscrews – Head (jacketed) | | 920382 | 73A | Plug (1/8") | 1 | 908183 |
| 22 | Capscrews – Blanking Plate | 6 | 920335 | 73B | Jacket Plug (3/8") | 4 | 908207 |
| 23 | Head & Bushing Asy. – Outboard | 1 | 035310 | 73D | Gland Plug (1/8") | 3 | 908183 |
| 24 | Bushing (Sleeve Bearing) | 2 | ¹ 161600 | 77 | Push Rod | 3 | ¹ 125301 |
| 25A | Dowel Pin – Head | 6 | 930564 | — | Kit — Maintenance | — | 898947 |
| 26 | Seal Ring – Bearing Cover | 1 | ¹ 382211 | — | Kit — Maintenance (jacketed pumps) | — | 898988 |
| 27 | Bearing Cover | 1 | 045301 | — | Kit — Rebuild | — | 899047 |
| 28 | Capscrews – Bearing Cover | 4 | 920179 | — | Kit — Rebuild (jacketed pumps) | — | 899088 |
| 35 | Key – Shaft | 1 | ¹ 909178 | | | | |

¹ Included in Maintenance and Rebuild Kits. (Std. kits include Duravanes; jacketed pump kits include EC Laminate Vanes).

² Included in Rebuild Kit. * Effective Jan 2006, jackets are considered an option and no longer change the model number.

SNP2.5 – RELIEF VALVE – OPTIONAL

| Ref. No. | Part Name | Qty | Part No. |
|----------|----------------------------------|-----|----------|
| 2 | Cap – Relief Valve (R/V) | 1 | 413151 |
| 2 | Adjusting Screw – R/V | 1 | 433101 |
| 4 | Cover – R/V | 1 | 415301 |
| 5 | Capscrews – R/V Cover | 4 | 920335 |
| 6 | Body – R/V | 1 | 405301 |
| 7 | Spring Guide – R/V | 1 | 423101 |
| 8 | Spring – R/V (41-50 psi) | 1 | 471610 |
| | Spring – R/V (51-110 psi) | | 471632 |
| | Spring – R/V (111-150 psi) | | 471615 |
| 9 | Valve – R/V | 1 | 455301 |
| 10 | Seal Ring – R/V Cover | 1 | 535301 |
| 22 | Capscrews – R/V Body | 6 | 920335 |
| 29 | Plug (1-1/2") | 0-1 | 908249 |
| 29A | Plug (1-1/4") (External By-Pass) | 0-1 | 908244 |
| 88 | Gasket – R/V Cap | 1 | 533101 |



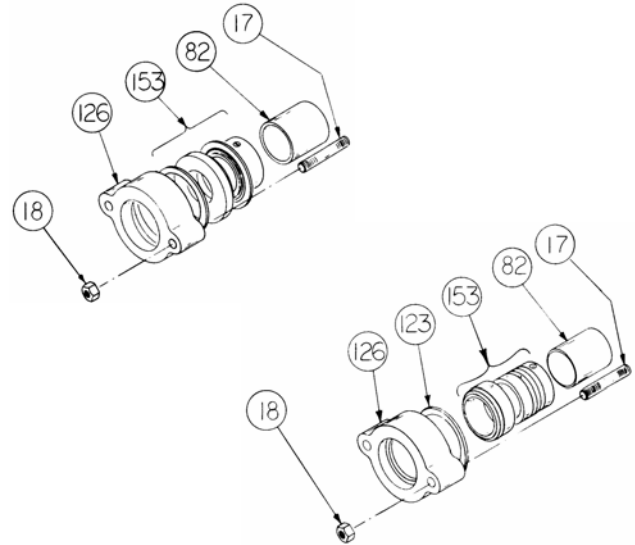
SNP2.5 – SHAFT PACKING – STANDARD

| Ref. No. | Part Name | Qty | Part No. |
|----------|---------------------------------|-----|----------|
| 17 | Stud – Packing Follower | 2 | 921441 |
| 18 | Locknut – Packing Follower Stud | 2 | 922416 |
| 19 | Packing Set (5 Rings) | 1 | 325301 |
| 58 | Packing Washer | 1 | 352201 |
| 75 | Packing Follower | 1 | 145301 |

¹ Included in Maintenance and Rebuild Kits.

SNP2.5 – MECHANICAL SEAL - OPTIONAL

| Ref. No. | Part Name | Qty | Part No. |
|----------|------------------------------------|-----|----------|
| 17 | Stud – Retainer | 2 | 921441 |
| 18 | Locknut – Retainer Stud | 2 | 922416 |
| 82 | Spacer – Seal | 1 | 375301 |
| 126 | Retainer – Seal | 1 | 332210 |
| 153 | Mechanical Seal Asy – Crane Type 9 | 1 | 332203 |

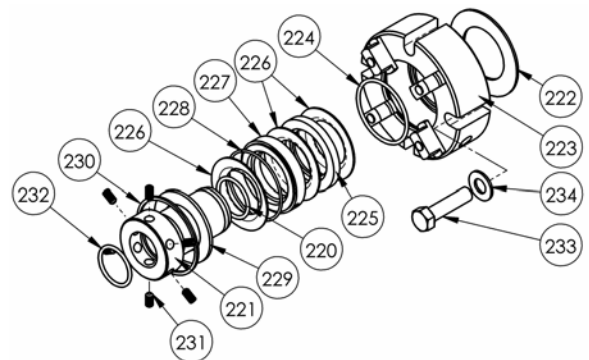


SNP2.5 – MECHANICAL SEAL - OPTIONAL

| Ref. No. | Part Name | Qty | Part No. |
|----------|-----------------------------------|-----|----------|
| 17 | Stud – Retainer | 2 | 921441 |
| 18 | Locknut – Retainer Stud | 2 | 922416 |
| 82 | Spacer – Seal | 1 | 375301 |
| 123 | Gasket – Seal Retainer | 1 | 385380 |
| 126 | Retainer – Seal | 1 | 335310 |
| 153 | Mechanical Seal Asy – Durametallc | 1 | 332200 |

SNP2.5 – TRIPLE-LIP CARTRIDGE SEAL - OPTIONAL

| Ref. No. | Part Name | Seal | Seal Rebuild Kit |
|----------|----------------------------------|---------------|------------------|
| — | TRIPLE-LIP CARTRIDGE SEAL | 335314 | 899103 |
| 220 | Shaft Sleeve O-Ring | 1 | X |
| 221 | Shaft Sleeve | 1 | |
| 222 | Gasket | 1 | X |
| 223 | Gland Plate Assembly | 1 | |
| 224 | Element O-Ring | 1 | X |
| 225 | Seal Spacer | 1 | X |
| 226 | Seal Element | 3 | X |
| 227 | Flushing Spacer | 1 | X |
| 228 | Flushing Spacer O-Ring | 1 | X |
| 229 | Retaining Ring | 1 | |
| 230 | Snap Ring | 1 | X |
| 231 | Shaft Sleeve Setscrews | 6 | X |
| 232 | Stepped Shaft Sleeve O-Ring | 1 | X |
| 233 | Gland Capscrew | 4 | |
| 234 | Flat Washer | 4 | |



X = Parts included in Seal Rebuild Kit



1809 Century Avenue, Grand Rapids, Michigan 49503-1530, U.S.A.
 Telephone: (616) 241-1611 / Fax: (616) 241-3752
 E-Mail: blackmer@blackmer.com / Internet: www.blackmer.com