

BLACKMER PARTS LIST

961201
Page 1 of 2

PARTS LIST
108-A01_jan06

PUMP MODELS: MVP15B, MVP20B, MVP30B

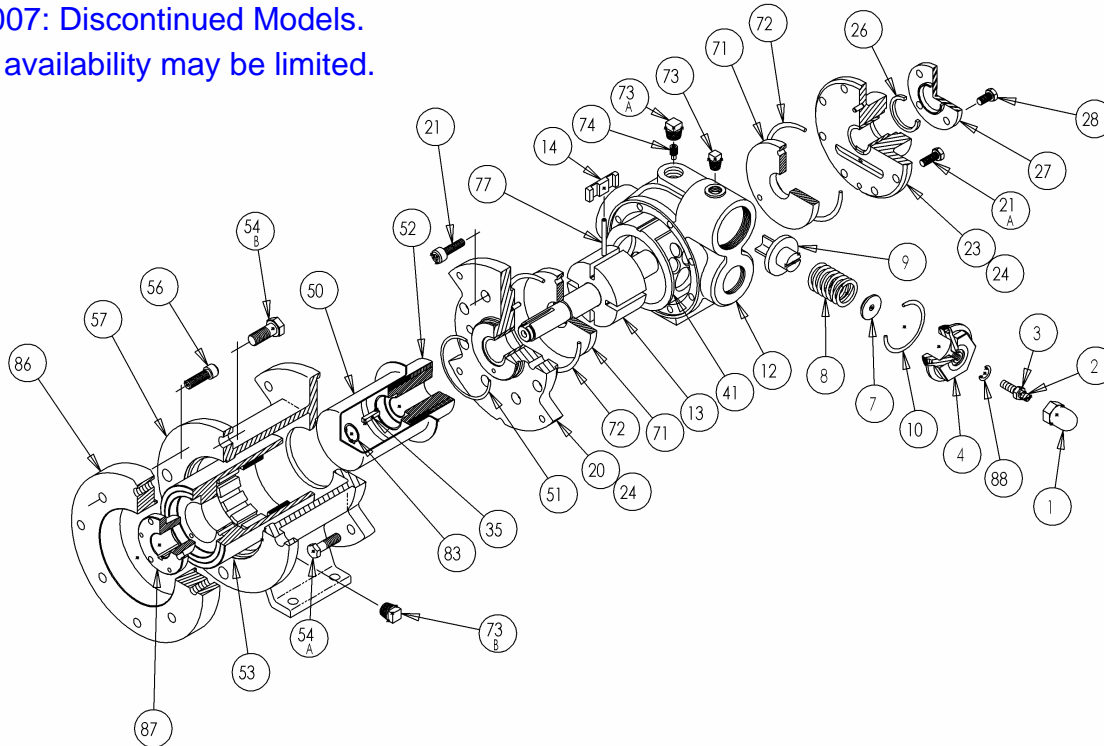
(See Instructions 108-A00 for Installation, Operation and Maintenance)

Discontinued Models: MVP15, MVP20, MVP30

(See Instructions 185/T for Installation, Operation and Maintenance)

Section | 108
Effective | Jan 2006
Replaces | April 2003

Mar 2007: Discontinued Models.
Parts availability may be limited.



Ref. No.	Description	Parts per Pump	Part No.	Ref. No.	Description	Parts per Pump	Part No.
1	Cap – Relief Valve (R/V)	1	413200	52	Inner Magnet	1	See Back
2	Adjusting Screw - R/V	1	433909	53	Outer Magnet	1	See Back
3	Locknut - Adjusting Screw	1	922923	54A	Capscrews - Housing/Head	4	920331
4	Cover - R/V	1	413076	54B	Capscrews - Housing/Adapter	4	920495
7	Spring Guide - R/V	1	423955	56	Capscrews - Adapter/Motor (143-145TC Frame)	4	920356
8	Spring - R/V (25 - 50 psi)	1	471417	56	Capscrews - Adapter/Motor (182-184TC, 213-215TC Frame)		920491
	Spring - R/V (51 - 75 psi) (Std.)		471418	57	Magnet Housing	1	681203
	Spring - R/V (76 - 100 psi)		471427	71	Disc	2	² 061204
	Spring - R/V (101 - 150 psi)		471429	72	O-Ring - Head (PTFE)	2	¹ 702066
9	Valve - R/V (Std.)	1	453079	73	Gage Plug (1/4" NPT)	1	908198
9	Valve - R/V (Nickel Plated)		453073	73A	Gage Plug (3/4" NPT)	1	908225
10	O-Ring - R/V Cover (PTFE)	1	702084	73B	Plug - Housing (1/2" NPT)	1	908217
12	Casing	1	013377	74	Set screw - Liner	1	922088
14	Vane - Duravane (Std.)	4	¹ 093088	77	Push Rod - MVP15	2	¹ 123004
	Vane - EC Laminate		093091		Push Rod - MVP20		¹ 123076
20	Inboard Head & Bearing Asy.	1	¹ 031204		Push Rod - MVP30		1
21	Capscrews - Inboard Head	8	920238	83	Snap Ring	1	¹ 903599
21A	Capscrews - Outboard head	8	920276	86	Motor Adapter - 143-145TC Frame	1	831200
23	Outboard Head & Bearing Asy.	1	¹ 031206		Motor Adapter - 182-184TC Frame		831201
24	Sleeve Bearing	2	¹ 161201		Motor Adapter - 213-215TC Frame		831204
26	Seal Ring - Bearing Cover (PTFE)	1	¹ 711957	87	Bushing - Outer Magnet	1	See Back
27	Bearing Cover	1	041204	88	O-Ring - R/V Cap (PTFE)	1	702074
28	Capscrews - Bearing Cover	4	920129	—	Warning Label- Magnet Housing	1	909504
35	Key - Shaft	1	909196	—	Kit — Maintenance - MVP15	—	898924
41	Liner - MVP15	1	² 183003	—	Kit — Maintenance – MVP20	—	898925
	Liner - MVP20		² 183004	—	Kit — Maintenance – MVP30	—	898926
	Liner - MVP30		² 183301	—	Kit — Rebuild - MVP15	—	899024
	50		Containment Can	1	681201	—	Kit — Rebuild - MVP20
51	O-Ring - Containment Can	1	¹ 702077	—	Kit — Rebuild - MVP30	—	899026

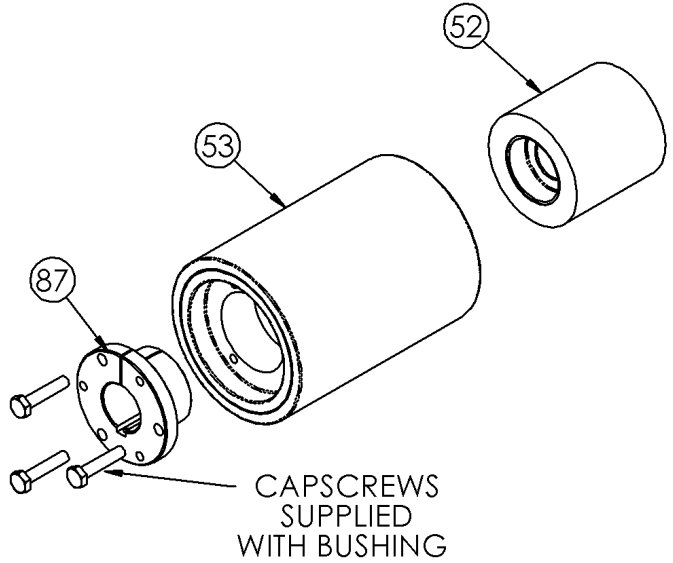
EC = Extra Clearance. Keep this parts list with Installation, Operation and Maintenance Instructions.

¹ Included in Maintenance Kit and Rebuild Kit

² Included in Rebuild Kit

MAGNET OPTIONS

Ref. No.	Part Name	Parts Per Pump	Part No.	
52	Inner Magnet (MC10)	1	681260	
	Inner Magnet (MC20)		681261	
53	Outer Magnet (MC10) 143-145TC Frame 182-184TC Frame	1	681270	
	Outer Magnet (MC20) 182-184TC Frame 213-215TC Frame		681271	
	87	Bushing Outer Magnet (MC10) 143-145TC Frame	1	902431
		Bushing Outer Magnet (MC10) 182-184TC Frame		902451
Bushing Outer Magnet (MC20) 182-184TC Frame		902453		
Bushing Outer Magnet (MC20) 213-215TC Frame				



Discontinued Models MVP15, MVP20, & MVP30 used different magnets and lockcollars in place of ref. (87) bushing. Replacement of either the Inner Magnet (52), the outer Magnet (53), or the lockcollars (87) on these models will require the replacement of all three parts.

