

BLACKMER PARTS LIST

PUMP MODELS: MVP50B, MVP100B

(See Instructions 108-B00 for Installation, Operation and Maintenance)

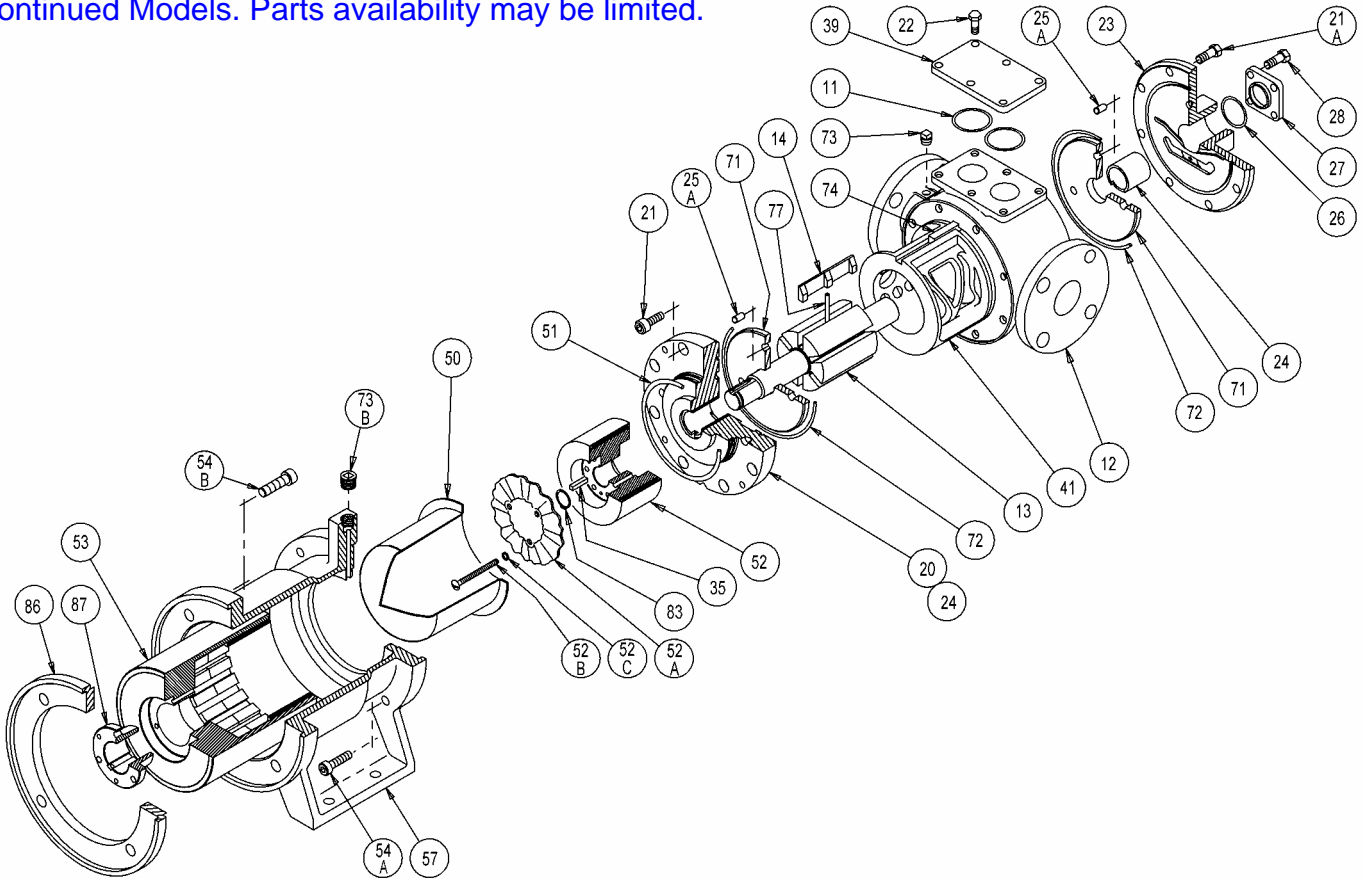
Discontinued Models: MVP50A, MVP100A

(See Instructions 185/TT for Installation, Operation and Maintenance)

961407 **PARTS LIST**
Page 1 of 2 **108-B01_apr05**

Section 108
Effective April 2005
Replaces April 2003

Discontinued Models. Parts availability may be limited.



Ref. No.	Description	Parts per Pump	50B Part No.	100B Part No.	Ref. No.	Description	Parts per Pump	50B Part No.	100B Part No.
11	O-Ring - Blanking Plate (PTFE)	2	¹ 702110	¹ 702110	52B	Capscrews - Impeller	3	920021	920021
12	Casing	1	011400	011400	52C	Lockwashers - Impeller	3	909530	909530
13	Rotor & Shaft	1	² 261422	² 264701	53	Outer Magnet	1	See Back	See Back
14	Vane - Duravane	6	¹ 091405	¹ 094700	54A	Capscrews - Housing/Head	4	920371	920371
	Vane - Extra Clearance Laminate		091406	094702	54B	Capscrews - Housing/Motor 182-184 TC Frame	4	920508	920508
20	Inboard Head & Bearing Asy.	1	031412	031412		Capscrews - Housing/Motor 213-215TC Frame		920536	920536
21	Capscrews - Inboard Head	8	920337	920337		Capscrews - Housing/Motor 254-256TC Frame		920554	920554
21A	Capscrews - Outboard Head	8	920331	920331	57	Magnet Housing	1	681427	681427
22	Capscrews - Blanking Plate	6	920178	920178	71	Disc	2	² 061404	² 061404
23	Outboard Head & Bearing Asy.	1	031413	031413	72	O-Ring Head (PTFE)	2	¹ 702111	¹ 702111
24	Sleeve Bearing	2	¹ 161402	¹ 161402	73	Gage Plug (1/4" NPT)	2	908198	908198
25A	Dowel Pin	2	930564	930564	73B	Plug - Housing (1/2" NPT)	1	908217	908217
26	O-Ring - Bearing Cover (PTFE)	1	702109	702109	74	Key - Liner	1	183991	183991
27	Bearing Cover	1	041405	041405	77	Push Rod	3	¹ 121400	¹ 121400
28	Capscrews - Bearing Cover	4	920178	920178	83	Snap Ring	1	¹ 903598	¹ 903598
35	Key - Shaft	1	¹ 909197	¹ 909197	86	Motor Adapter	0 - 2	831406	831406
39	Blanking Plate	1	491405	491405	87	Bushing - Outer Magnet	1	See Back	See Back
41	Liner	1	² 181400	² 184700	—	Warning Label - Magnet Housing	1	909504	909504
50	Containment Can	1	681404	681404	—	Kit — Maintenance	—	898983	898927
51	O-Ring - Containment Can (PTFE)	1	¹ 702083	¹ 702083	—	Kit — Rebuild	—	899083	899027
52	Inner Magnet	1	See Back	See Back					
52A	Impeller	1	684502	684502					

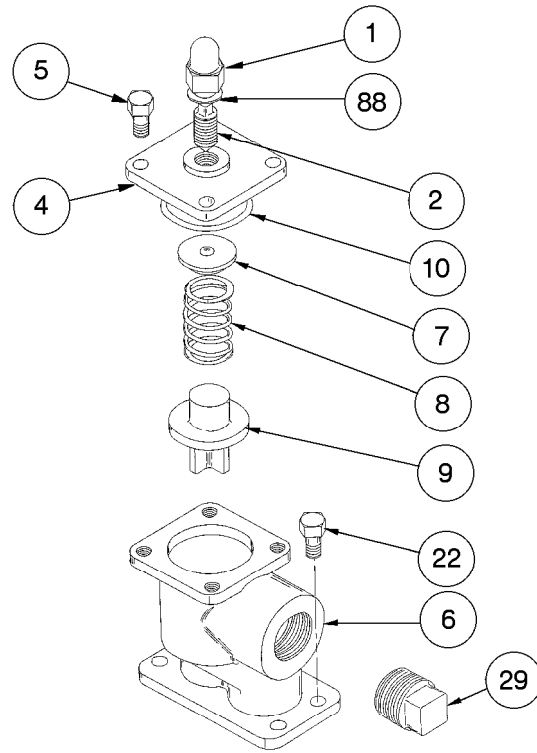
¹ Included in Maintenance Kit and Rebuild Kit

² Included in Rebuild Kit

Keep this parts list with Installation, Operation and Maintenance Instructions.

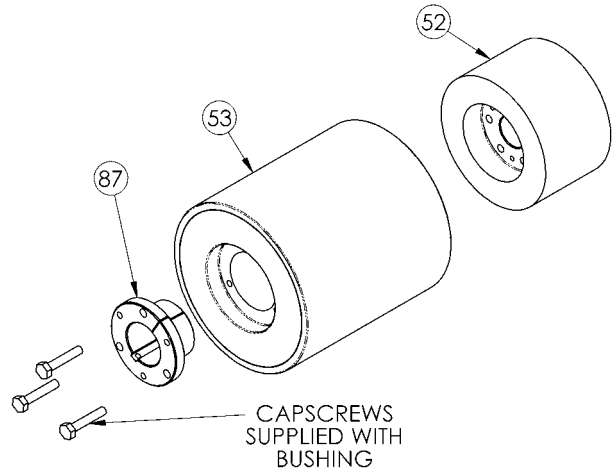
RELIEF VALVE - OPTIONAL

Ref. No.	Part Name	Parts Per Pump	Part No.
1	Cap - Relief Valve (R/V)	1	413151
2	Adjusting Screw - R/V	1	433101
4	Cover - R/V	1	411407
5	Capscrews - R/V Cover	4	920178
6	Body - R/V	1	401405
7	Spring Guide - R/V	1	423955
8	Spring - R/V (25-50 psi)	1	471417
	Spring - R/V (51-75 psi)(Std.)		471418
	Spring - R/V (76-100 psi)		471427
	Spring - R/V (101-150 psi)		471429
9	Valve - R/V (Std.)	1	451407
	Valve - R/V (Stainless Steel)		453803
10	O-Ring - R/V Cover (PTFE)	1	711999
22	Capscrews - R/V Body	6	920178
29	Plug (1 1/4")	1	908245
88	Gasket - R/V Cap	1	533101



MAGNET OPTIONS

Ref. No.	Part Name	Parts Per Pump	Part No.
52	Inner Magnet (MC60)	1	681460
53	Outer Magnet (MC60)	1	681470
	182-184TC Frame		
	213-215TC Frame 254TC Frame		
87	Bushing Outer Magnet (MC60) 182-184TC Frame	1	902451
	Bushing Outer Magnet (MC60) 213-215TC Frame		902453
	Bushing Outer Magnet (MC60) 254TC Frame (Includes Key)		902468



Discontinued Models MVP50 & MVP100 used different magnets and lockcollars in place of ref. (87) bushing. Replacement of either the Inner Magnet (52), outer Magnet (53), or lockcollars (87) on these models will require the replacement of all three parts.

