

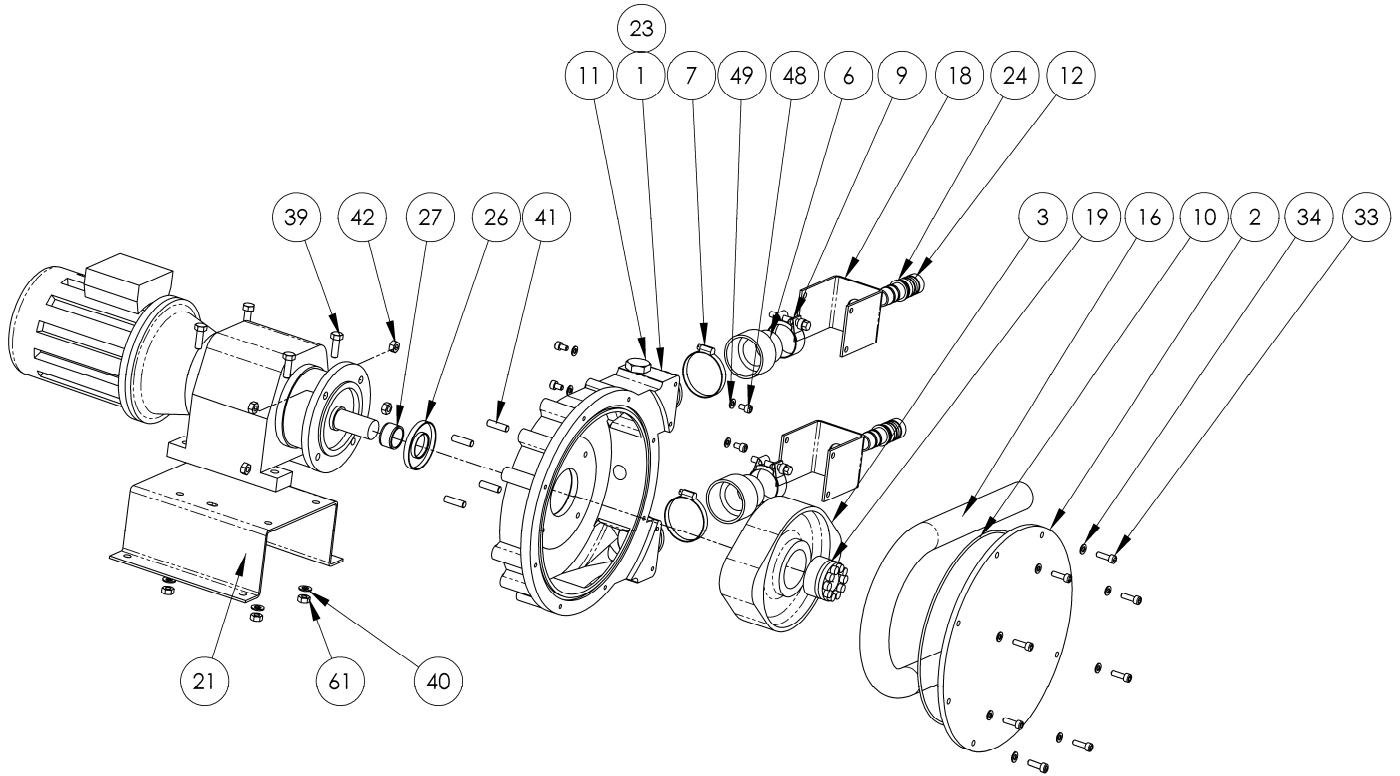
BLACKMER PARTS LIST

ABAQUE PUMP MODEL: AB10A

962510 **PARTS LIST**
Page 1 of 1 **1103-A01**

Section	1103
Effective	June 2010
Replaces	Jan 2010

Keep with Instructions 1103-A00 for Installation, Operation and Maintenance



REF. NO.	PART NAME	PARTS PER PUMP	PART NO.	REF. NO.	PART NAME	PARTS PER PUMP	PART NO.
1	Pump Body	1	Y217281	18	Insert Bracket	2	Y217130
2	Cover	1	Y220206	19	Locking Assembly (25mm shaft)	1	Y217778
3	Rotor (25 mm dia. shaft)	1	Y217457	21	Base Plate (Stainless Steel)	1	Y217169
6	Hose Boot	2	Y217067	23	Plug	2	Y223664
7	Clamp Inboard	2	Y217078	24	Snap Ring	2	Y217443
9	Clamp Outboard	2	Y217078	26*	Lip Seal (25 mm shaft)	1	Y220225
10*	O-Ring Front Cover	1	Y220198	27*	Seal Ring (25 mm shaft)	1	Y219026
11	Vent Plug	1	Y217446	33	Cover Screw	8	Y215864
12*	Insert – Hose (SS316) Std.	2	Y217298	34	Washer	8	Y200169
	Insert – Hose (PPH)		Y217299	39	Frame Screw	4	Y200350
	Insert – Hose (PVDF)		Y217300	40	Washer	4	Y200171
14*	Lubricant ¹	8.5 fl oz	Note (1)	41	Stud	4	Y217235
16*	Hose – NR (Natural Rubber) Std.	1	Y218712	42	Nut	4	Y217033
	Hose – NBR (Buna)		Y218713	48	Insert Bracket Screw	8	Y217208
	Hose – EPDM		Y218714	49	Washer	8	Y200169
				61	Nut	4	Y217033

* Recommended spare parts.

PPH = Polypropylene. EPDM = Ethylene Propylene Diene Monomer. PVDF = Polyvinylidene Fluoride

Note (1) – Lubricant Is offered in four sizes: 1 quart (AB1Q); 1 Gallon (AB1GL); 5 Gal. (AB5GL); and 55 Gal. (AB1D).



1809 Century Avenue, Grand Rapids, Michigan 49503-1530, U.S.A.
Telephone: (616) 241-1611 / Fax: (616) 241-3752
E-Mail: blackmer@blackmer.com / Internet: www.blackmer.com