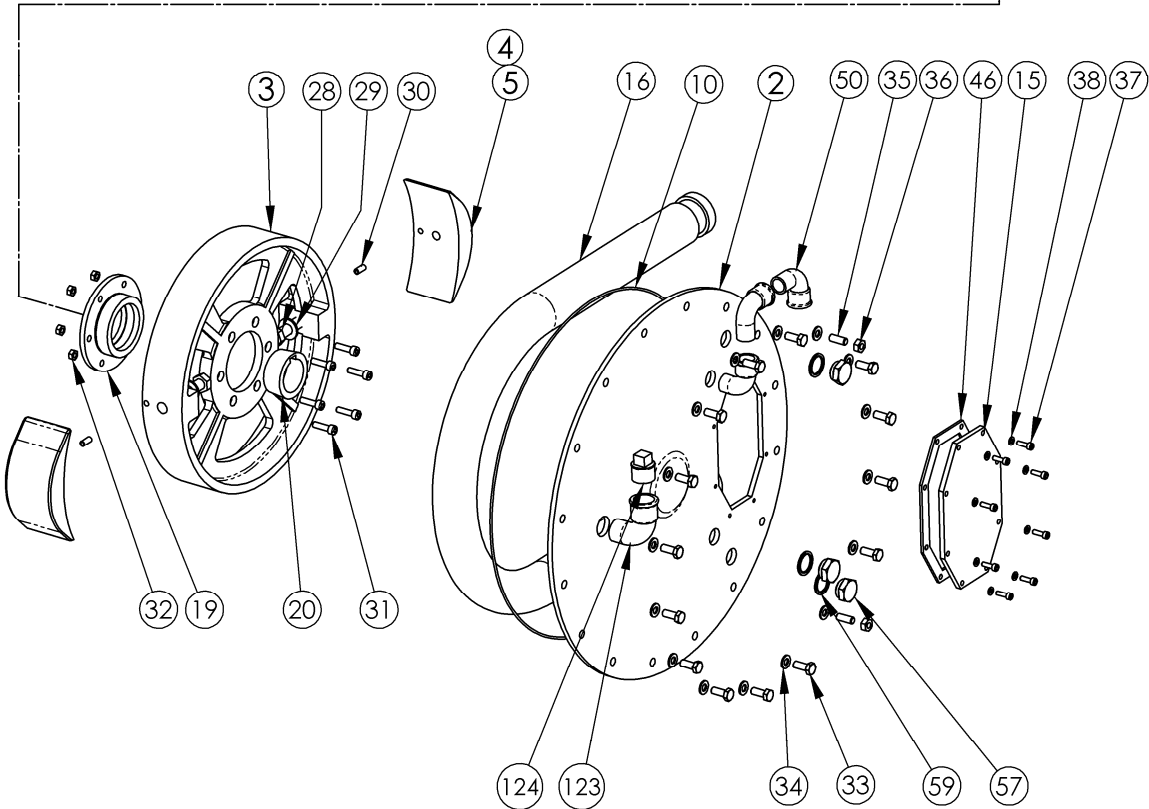
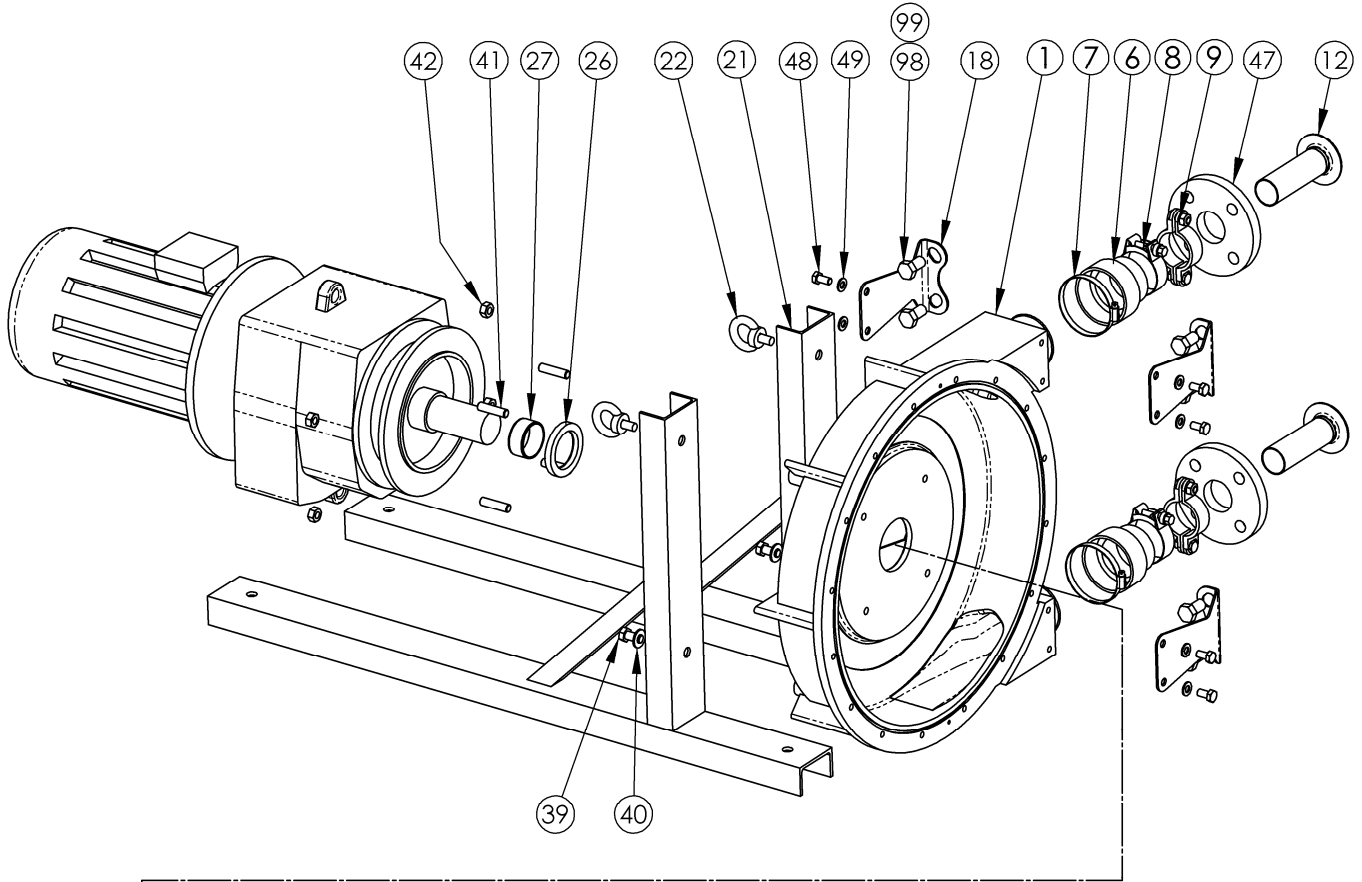


# BLACKMER PARTS LIST

## ABAQUE PUMP MODEL: ABX40A

Section	1103
Effective	Apr 2010
Replaces	May 2009

Keep with Instructions 1103-B00 for Installation, Operation and Maintenance



See Parts Listing on reverse side of page.

## PARTS LIST: ABAQUE PUMP MODEL: ABX40A

REF. NO.	PART NAME	PARTS PER PUMP	PART NO.	REF. NO.	PART NAME	PARTS PER PUMP	PART NO.
1	Pump Body 180/215/250	1	Y217271	28	Bolt for Shoe	2	Y200379
2	Cover	1	Y220147	29	Washer	2	Y217225
3	Wheel	1	Y217290	30	Pin	2	Y200104
4	Shim Set of Eight	Note (1)	Y312359	31	Screw	6	Y200399
5	Shoe - Aluminum	2	Y217063	32	Nut	6	Y200082
6	Hose Boot	2	Y217070	33	Cover Bolt	14	Y214384
7	Clamp Inboard	2	Y217050	34	Washer	16	Y213728
8	Clamp Middle	2	Y219476	35	Stud	2	Y217404
9	Clamp Outboard	2	Y217086	36	Nut	2	Y217039
10*	O-Ring Front Cover	1	Y220144	37	Cap Screw	8	Y215864
12*	Insert – Hose (SS316) (Std.)	2	Y217313	38	Washer	8	Y200169
	Insert – Hose (PPH)		Y217314	39	Frame Screw	2	Y200368
	Insert – Hose (PVDF)		Y217315	40	Washer	4	Y200173
14*	Lubricant <sup>2</sup>	5.3 qt	Note (2)	41	Stud	4	Y217239
15	Window	1	Y220143	42	Nut	4	Y217228
16*	Hose – Natural Rubber (Std.)	1	Y218730	46	Window Seal	1	Y217396
	Hose – NBR (Buna)		Y218731	47	Flange – ANSI 150, 1.5"	2	Y218775
	Hose – EPDM		Y218732	48	Flange Bracket Screw	8	Y200357
18	Flange Bracket – ANSI 150	4	Y219097	49	Washer	8	Y213728
19	Adaptor Hub/Wheel	1	Y311423	50	90° Bend	3	Y217043
20	Hub (50 mm)	1	Y217394	57	Level Plug	3	Y224416
21	Frame	2	Y217172	59	Washer	3	Y223159
22	Eye Bolt	2	Y217337	98	Cap Screw	4	Y205926
26*	Lip Seal	1	Y220146	99	Nut	4	Y200038
27*	Seal Ring (50 mm)	1	Y219057	123	Elbow	1	Y217433
				124	Plug	1	Y208457

\* Recommended spare parts

PPH = Polypropylene EPDM = Ethylene Propylene Diene Monomer PVDF = Polyvinylidene Fluoride

Note (1) – Refer to instructions 1103-M00 "Installing Blackmer Peristaltic Hoses" for proper shim quantity. Shim both shoes equally.

Note (2) – Lubricant is offered in four sizes: 1 quart (AB1Q); 1 Gallon (AB1GL); 5 Gal. (AB5GL); and 55 Gal. (AB1D).



1809 Century Avenue, Grand Rapids, Michigan 49503-1530, U.S.A.  
 Telephone: (616) 241-1611 / Fax: (616) 241-3752  
 E-Mail: blackmer@blackmer.com / Internet: www.blackmer.com

Parts List 1103-B03  
 Page 2 of 2