

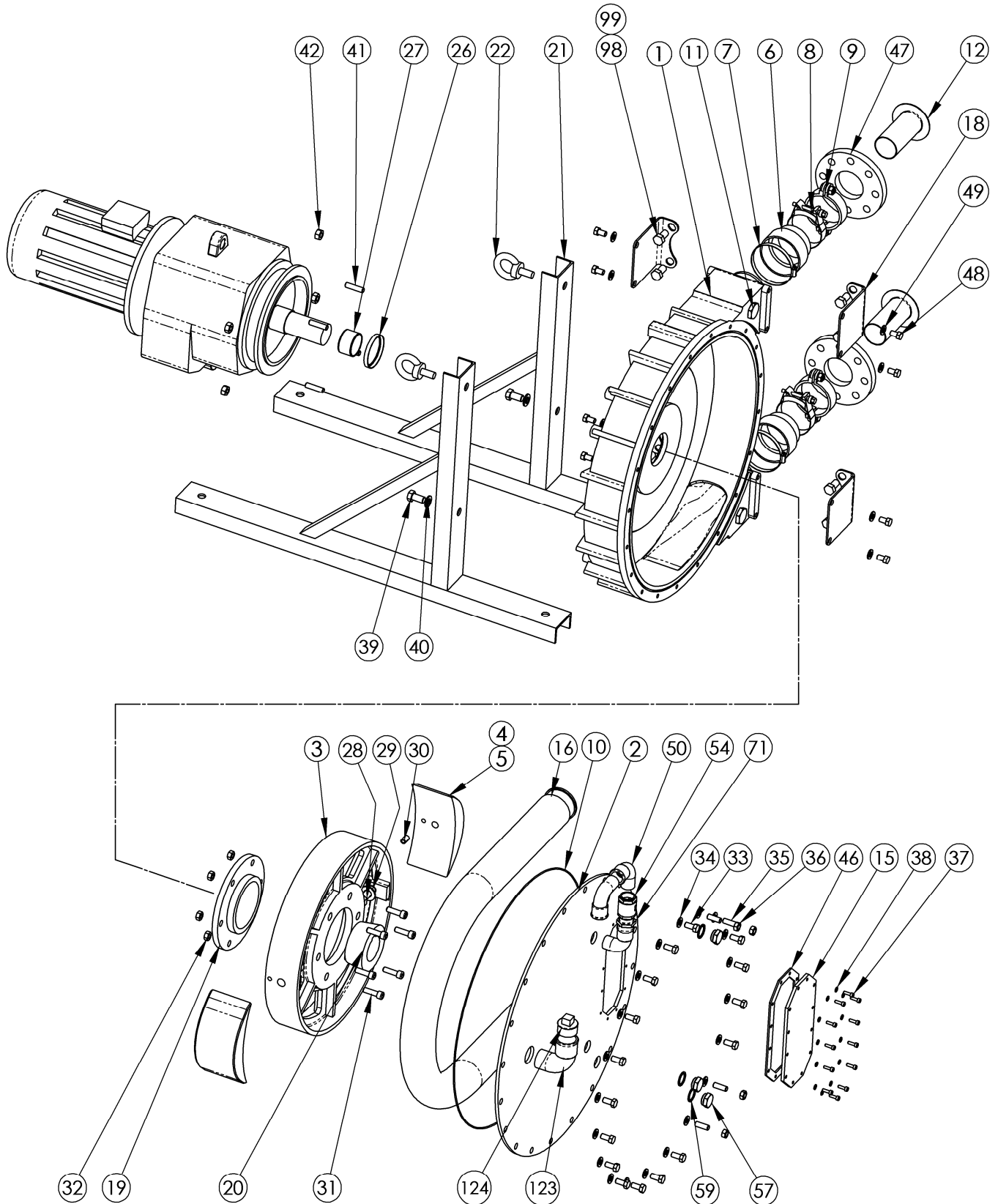
# BLACKMER PARTS LIST

## ABAQUE PUMP MODEL: AB65A

962515      **PARTS LIST**  
 Page 1 of 2      **1103-B04**

Section      1103  
 Effective    Feb 2010  
 Replaces    May 2009

Keep with Instructions 1103-B00 for Installation, Operation and Maintenance)



See Parts Listing on reverse side of page.

## PARTS LIST: ABAQUE PUMP MODEL: AB65A

REF. NO.	PART NAME	PARTS PER PUMP	PART NO.	REF. NO.	PART NAME	PARTS PER PUMP	PART NO.
1	Pump Body (230/265/300)	1	Y217273	29	Washer	2	Y217226
2	Cover	1	Y220120	30	Pin	2	Y212291
3	Wheel	1	Y217291	31	Screw	6	Y217205
4	Shim Set of 8	Note (1)	Y312360	32	Nut	6	Y214647
5	Shoe - Aluminum	2	Y217412	33	Cover Bolt	16	Y200368
6	Hose Boot	2	Y217072	34	Washer	20	Y200173
7	Clamp	2	Y217081	35	Stud	4	Y217237
8	Clamp	2	Y218831	36	Nut	4	Y217228
9	Clamp	2	Y217087	37	Cap Screw	12	Y215864
10*	O-Ring	1	Y220117	38	Washer	12	Y200169
11	Plug	2	Y217091	39	Frame Screw	2	Y209765
12*	Insert – Hose ( SS316 ) (Std.)	2	Y217319	40	Washer	2	Y204667
	Insert – Hose ( PPH )		Y217320	41	Stud	4	Y217239
	Insert – Hose ( PVDF )		Y217321	42	Nut	4	Y217228
14*	Lubricant – Glycerine	2.7 Gal	Note (2)	46	Window Seal	1	Y217397
15	Window	1	Y220119	47	Flange ANSI 150, 2.5"	2	Y219150
16*	Hose – Natural Rubber (Std.)	1	Y218736	48	Flange Bracket Screw	8	Y200367
	Hose – NBR (Buna)		Y218737	49	Washer	8	Y200173
	Hose – EPDM		Y218738	50	90° Bend	3	Y217433
18	Flange Bracket ANSI 150	4	Y219099	54	Valve	1	Y217684
19	Adaptor Hub/Wheel	1	Y217164	57	Level Plug	3	Y224415
20	Hub ( 60 mm )	1	Y217155	59	Washer	3	Y222479
21	Frame	2	Y217173	71	Fitting	1	Y217435
22	Eye Bolt	2	Y217338	98	Cap Screw	4	Y200330
26*	Shaft Seal ( 60 mm)	1	Y220105	99	Nut	4	Y200039
27*	Seal Ring ( 60 mm )	1	Y219061	123	Elbow	1	Y217757
28	Bolt for Shoe	2	Y217198	124	Plug	1	Y212649

\* Recommended spare parts

PPH = Polypropylene EPDM = Ethylene Propylene Diene Monomer PVDF = Polyvinylidene Fluoride

Note (1) – Refer to instructions 1103-M00 "Installing Blackmer Peristaltic Hoses" for proper shim quantity. Shim both shoes equally.

Note (2) – Lubricant is offered in four sizes: 1 quart (AB1Q); 1 Gallon (AB1GL); 5 Gal. (AB5GL); and 55 Gal. (AB1D).



1809 Century Avenue, Grand Rapids, Michigan 49503-1530, U.S.A.  
 Telephone: (616) 241-1611 / Fax: (616) 241-3752  
 E-Mail: blackmer@blackmer.com / Internet: www.blackmer.com

Parts List 1103-B04  
 Page 2 of 2