

BLACKMER PARTS LIST

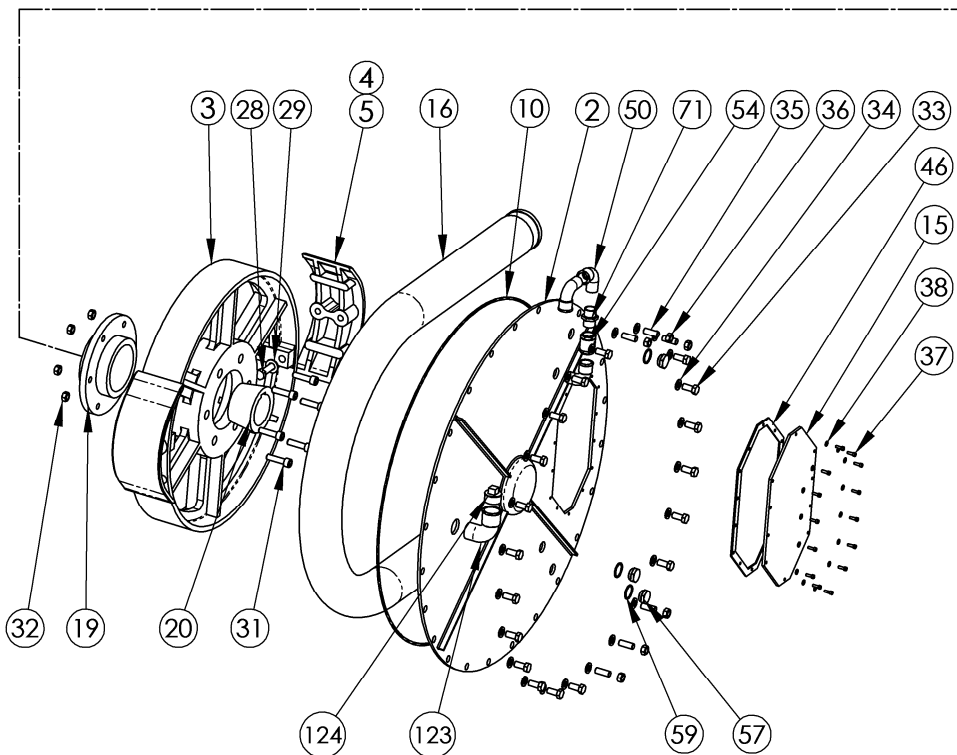
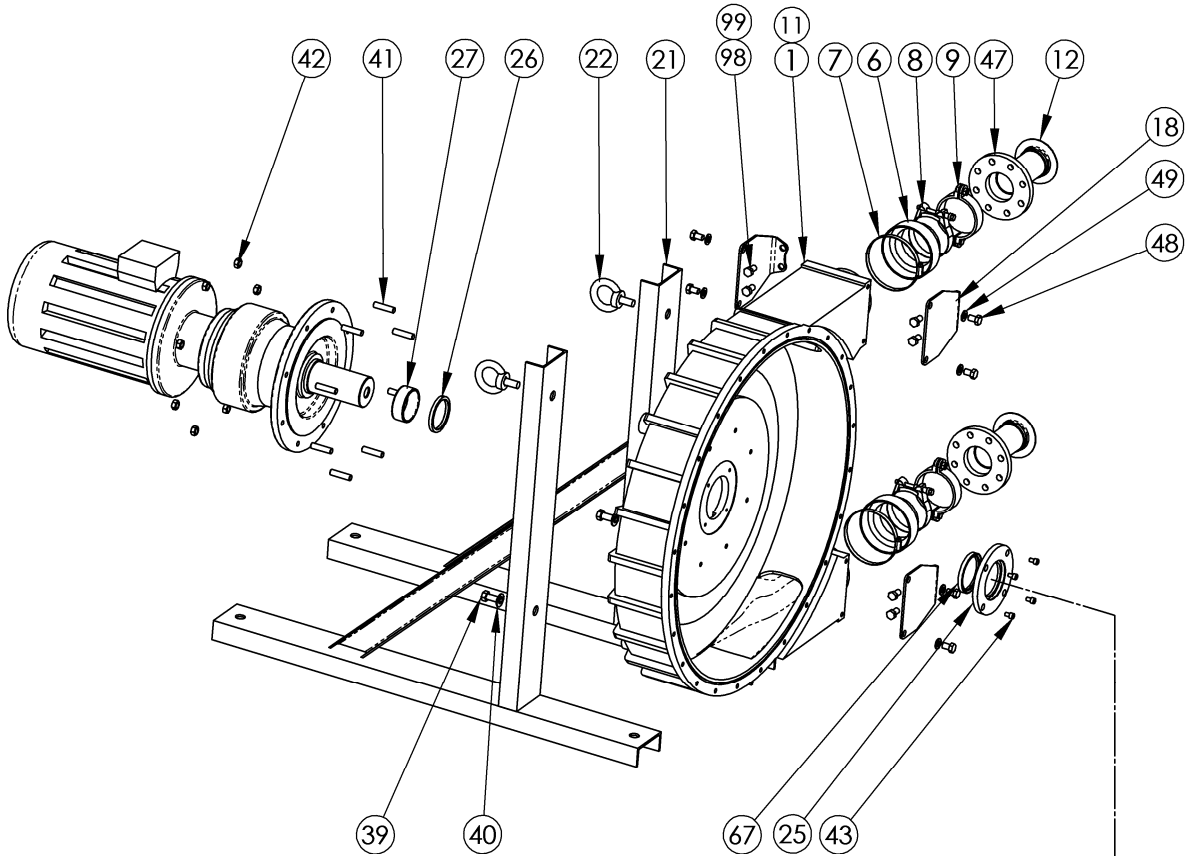
ABAQUE PUMP MODEL: AB80A

962517
Page 1 of 2

PARTS LIST
1103-C02

Keep with Instructions 1103-C00 for Installation, Operation and Maintenance

Section	1103
Effective	Dec 2009
Replaces	May 2009



See Parts Listing on reverse side of page.

PARTS LIST: ABAQUE PUMP MODEL: AB80A

REF. NO.	PART NAME	PARTS PER PUMP	PART NO.	REF. NO.	PART NAME	PARTS PER PUMP	PART NO.
1	Pump Body (350/400/450)	1	Y217278	29	Washer	4	Y217226
1a	Body Spacer 350/400/450	1	Y218711	31	Bolt	6	Y217207
2	Cover	1	Y220195	32	Nut	6	Y217233
3	Wheel	1	Y217293	33	Cover Bolt	18	Y217189
4	Shim Set of 8	Note (1)	Y312362	34	Washer	24	Y204667
5	Shoe - Aluminum	2	Y217497	35	Stud	4	Y217238
6	Hose Boot	2	Y218913	36	Nut	4	Y217229
7	Clamp	2	Y217083	37	Cap Screw	14	Y215864
8	Clamp	2	Y219022	38	Washer	14	Y200169
9	Clamp	2	Y217772	39	Frame Screw	2	Y217197
10*	O-Ring	1	Y220203	40	Washer	2	Y217221
11	Plug	2	Y217091	41	Stud	8	Y217650
12*	Insert – Hose (SS316)	2	Y217328	42	Nut	8	Y217233
	Insert – Hose (PPH)		Y217329	43	Bolt	4	Y219142
	Insert – Hose (PVDF)		Y217330	46	Window Seal	1	Y217399
14*	Lubricant – Glycerine	11 Gal	Note (2)	47	Flange ANSI 150, 3"	2	Y219151
15	Window	1	Y220211	48	Flange Bracket Screw	8	Y217196
16*	Hose – Natural Rubber	1	Y218745	49	Washer	8	Y204667
	Hose – NBR (Buna)		Y218746	50	90° Bend	3	Y217433
	Hose – EPDM		Y218747	54	Valve	1	Y217684
18	Flange Bracket ANSI 150	4	Y219102	57	Level Plug	3	Y224415
19	Adaptor Hub/Wheel	1	Y217165	59	Washer	3	Y222479
20	Hub (90 mm)	1	Y217159	67*	O-Ring	1	Y220221
21	Frame	2	Y217175	71	Fitting	1	Y217435
22	Eye Bolt	2	Y217339	98	Cap Screw	4	Y200330
25	Closure Plate (90 mm)	1	Y220285	99	Nut	4	Y200039
26*	Shaft Seal (90 mm)	1	Y220289	123	Elbow	1	Y217757
27*	Seal Ring (90 mm)	1	Y219062	124	Plug	1	Y212649
28	Bolt for Shoe	4	Y217199				

* Recommended spare parts

PPH = Polypropylene EPDM = Ethylene Propylene Diene Monomer

Note (1) – Refer to instructions 1103-M00 "Installing Blackmer Peristaltic Hoses" for proper shim quantity. Shim both shoes equally.

Note (2) – Lubricant is offered in four sizes: 1 quart (AB1Q); 1 Gallon (AB1GL); 5 Gal. (AB5GL); and 55 Gal. (AB1D).



1809 Century Avenue, Grand Rapids, Michigan 49503-1530, U.S.A.
 Telephone: (616) 241-1611 / Fax: (616) 241-3752
 E-Mail: blackmer@blackmer.com / Internet: www.blackmer.com

Parts List 1103-C02
 Page 2 of 2