

# BLACKMER PARTS LIST

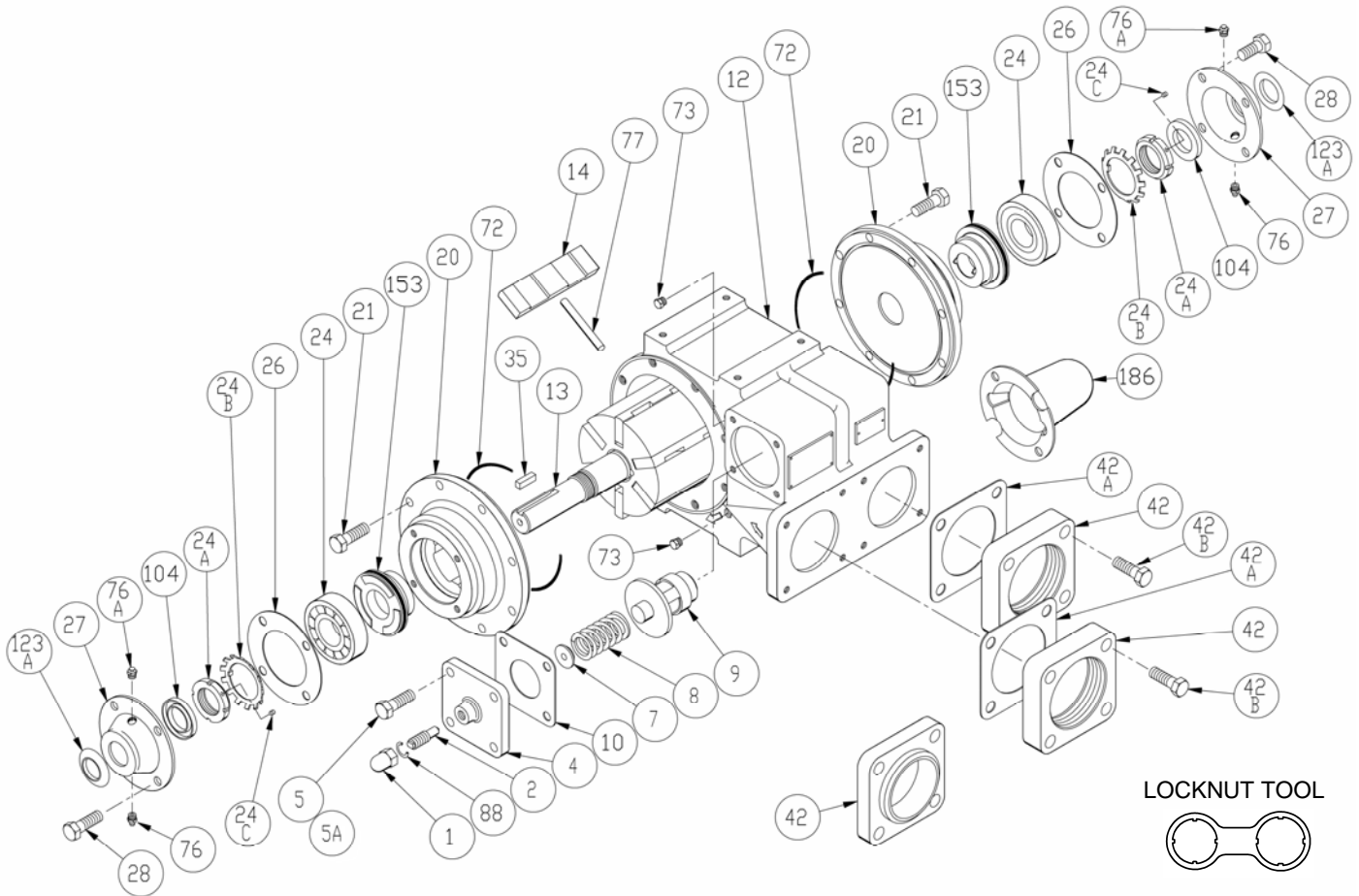
## PUMP MODEL: TXH3C

961811  
Page 1 of 2

**PARTS LIST**  
**201-C01**

Keep with Instructions 201-C00 for Installation, Operation and Maintenance

Section 201  
Effective Dec 2009  
Replaces Apr 2009

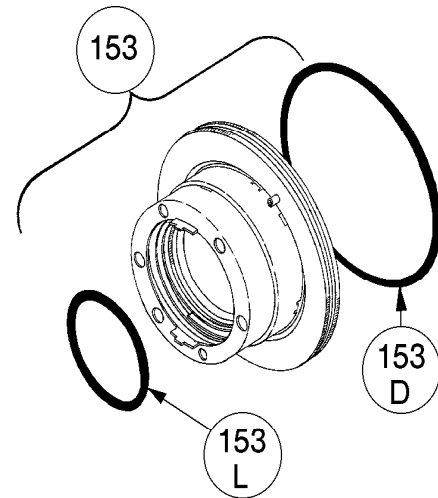


| Ref. No. | Description                        | Parts per Pump | Part No. | Ref. No. | Description                                   | Parts per Pump | Part No.     |
|----------|------------------------------------|----------------|----------|----------|---|----------------|--------------|
| 1        | Cap – Relief Valve (R/V)           | 1              | 411453   | 24B      | Lockwasher                                    | 2              | 903522       |
| 2        | Adjusting Screw – Relief Valve     | 1              | 431401   | 24C      | Setscrew – Locknut (in 24A)                   | 2              | 924060       |
| 4        | Cover – Relief Valve               | 1              | 411607   | 26       | Gasket – Bearing Cover                        | 2              | 383940       |
| 5        | Capscrew – R/V Cover               | 3              | 920316   | 27       | Bearing Cover                                 | 2              | 041431       |
| 5A       | Capscrew w/ Hole – R/V Cover       | 1              | 920310   | 28       | Capscrew – Bearing Cover                      | 8              | 920285       |
| 7        | Spring Guide – Relief Valve        | 1              | 423955   | 35       | Key – Shaft                                   | 1              | 909209       |
| 8        | Spring – Valve (51 –75 psi)        | 1              | 471631   | 42 –     | Flanges, Flange Gaskets, and Flange Capscrews |                | See Backside |
|          | Spring – Valve (76-110 psi)(Std.)  |                | 471631   | 42B      |   |                |              |
|          | Spring – Valve (111-125 psi)       |                | 471614   | 72       |   |                |              |
| 9        | Relief Valve (Std.)                | 1              | 451623   | 73       | Gage Plug                                     | 2              | 908198       |
|          | Relief Valve (Nickel Plated)       |                | 451624   | 76       | Grease Fitting                                | 2              | 317815       |
| 10       | Gasket – R/V Cover                 | 1              | 531603   | 76A      | Grease Relief Fitting                         | 2              | 701992       |
| 12       | Cylinder – Pump                    | 1              | 021825   | 77       | Push Rod - Vane                               | 3              | 121607       |
| 13       | Rotor & Shaft Assembly, w/24A, 24B | 1              | 261666   | 88       | Gasket – Relief Valve Cap                     | 1              | 701981       |
| 14       | Vane – Duravane®                   | 6              | 091619   | 104      | Grease Seal                                   | 2              | 331918       |
| 20       | Head                               | 2              | 031425   | 123A     | Dirt Shield                                   | 2              | 701480       |
| 21       | Capscrew – Head                    | 16             | 920331   | 186      | Shaft Protector                               | 1              | 341601       |
| 24       | Ball Bearing                       | 2              | 903156   |          | Tool - Locknut                                |                | 903091       |
| 24A      | Locknut Assembly w/setscrew (24C)  | 2              | 903583   |          | Air Valve Kit – Piston Type, FKM <sup>2</sup> |                | 891716       |

<sup>2</sup> For Piston Style Air Operated RV see IOM 201-G00 or 201-H00.

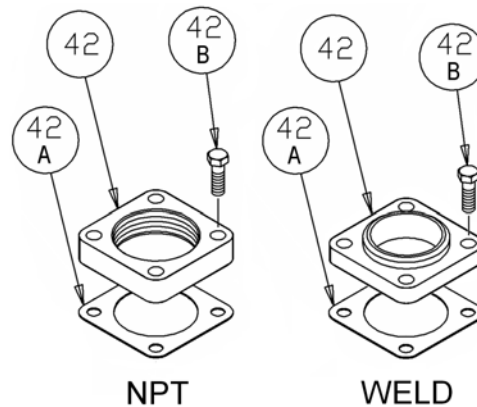
### MECHANICAL SEALS

| REF. NO. | PART NAME   | PARTS PER PUMP | PART NO. |
|----------|---|----------------|----------|
| 153      | Mechanical Seal Complete - Cast Iron Stationary Seat, FKM O-Rings, Carbon Seal Face. (IVCV) | 2              | 331655   |
| 153D     | O-Ring - Stationary (FKM)   | 2              | 701921   |
| 153L     | O-Ring - Rotating (FKM)   | 2              | 701980   |



### FLANGES

| REF. NO. | PART NAME               | PARTS PER PUMP | PART NO. |
|----------|-------------------------|----------------|----------|
| 42       | Flange - 3" NPT         | 1 - 2          | 651803   |
|          | Flange - 3" Weld        |                | 655102   |
| 42A      | Gasket - Flange         | 2              | 381816   |
| 42B      | Capscrews - NPT Flange  | 4 - 8          | 920532   |
|          | Capscrews - Weld Flange |                | 920510   |



### OPTIONAL HYDRAULIC MOTOR ADAPTER

| REF. NO. | PART NAME   | PARTS PER PUMP | PART NO. 1-1/4" Hyd. Motor Shaft | PART NO. 1" Hyd. Motor Shaft |
|----------|---|----------------|----------------------------------|------------------------------|
|          | <b>Hydraulic Motor Adapter Kit</b>                      |                | 891458                           | 891205                       |
| 26A      | Gasket - Hydraulic Motor Adapter                        | 1              | 383940                           | 383940                       |
| 28A      | Capscrew - Hydraulic Motor Adapter / Head               | 4              | 920369                           | 920369                       |
| 34       | Coupling w/ Setscrew - for straight key hydraulic motor | 1              | 906967                           | 906966                       |
| 35       | Key - Coupling  | 1              | 909184                           | ---                          |
| 76       | Grease Fitting  | 1              | 317815                           | 317815                       |
| 76A      | Grease Relief Fitting                                   | 1              | 701992                           | 701992                       |
| 135      | Hydraulic Motor Adapter - SAE A Flange                  | 1              | 041828                           | 041827                       |
| 135A     | Capscrew - Adapter / Motor                              | 2              | 920510                           | 920510                       |

