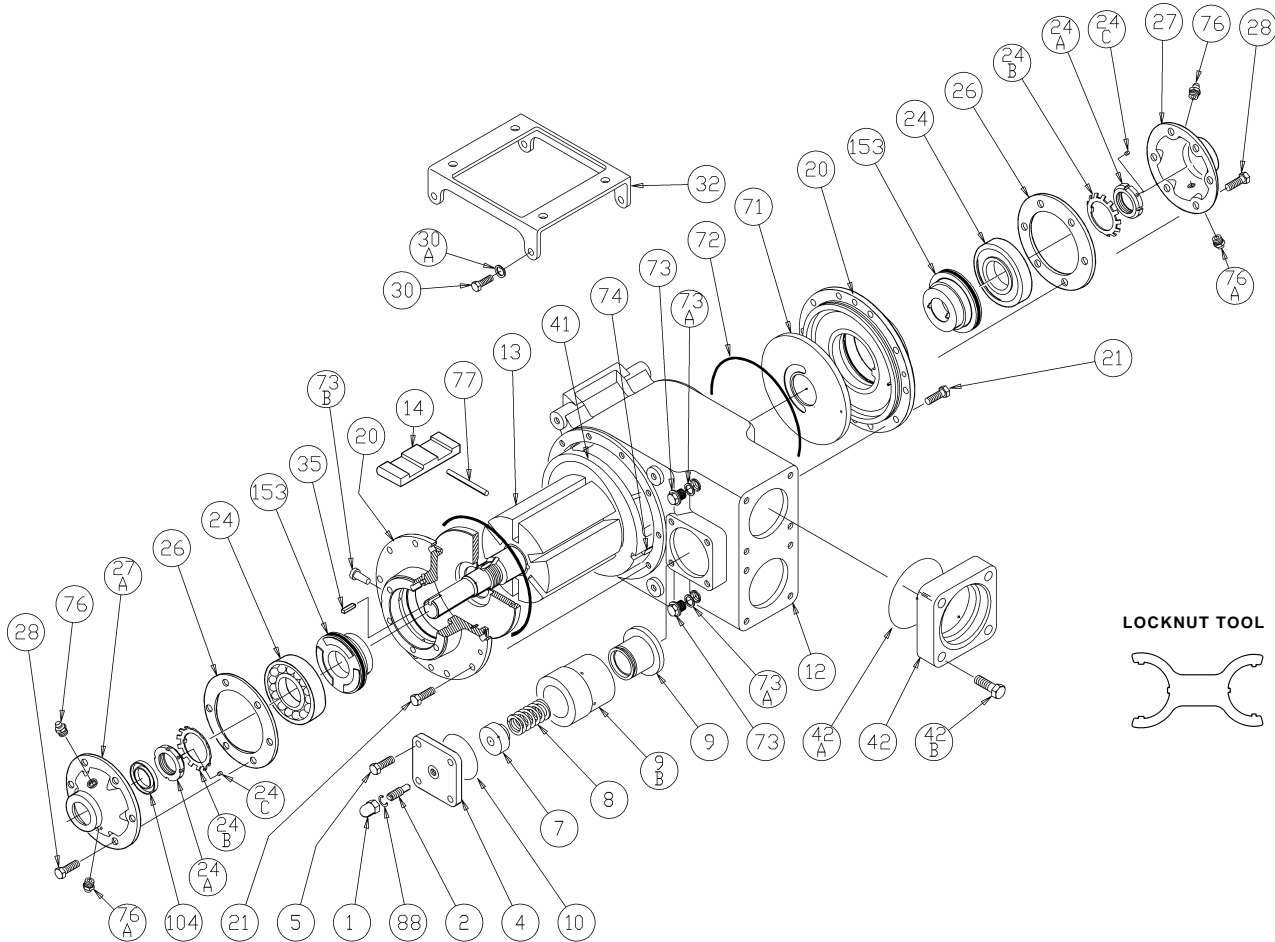


# BLACKMER PARTS LIST

## PUMP MODEL: ATX300A

Dec 2008: Discontinued Models, parts availability may be limited.  
See Instructions 201A-A00 for Installation, Operation and Maintenance

Section 201A  
Effective Sept 2007  
Replaces April 2003



Ref. No.	Description	Parts Per Pump	Part No.	Ref. No.	Description	Parts Per Pump	Part No.
1	Cap – R/V	1	411452	30	Capscrews – Mounting Bracket	4	924064
2	Adjusting Screw – R/V	1	431800	30A	Lockwasher – Bracket Capscrews	4	909586
4	Cover – R/V	1	411800	32	Mounting Bracket	1	831800
5	Capscrews – R/V Cover	4	920199	35	Key – Shaft	1	<sup>3</sup> 909146
7	Spring Guide – R/V	1	423955	41	Liner	1	<sup>4</sup> 181803
8	Spring - R/V (3.9-8.6 bar)	1	471633	42	Flange – 80mm Weld (Aluminum)	0 - 2	651820
9	Valve – R/V	1	455104		Flange – 80mm Weld (Cast Steel)		651819
9B	Valve Guide – R/V	1	425103	42A	O-Ring – Flange (Buna-N)	0 - 2	<sup>3</sup> 702002
10	O-Ring – R/V Cover (Buna-N)	1	<sup>3</sup> 702014	42B	Capscrews – Flange	0 - 8	924086
12	Casing	1	011800	71	Disc	2	<sup>4</sup> 061803
13	Rotor & Shaft (Straight Key) <sup>2</sup>	1	<sup>4</sup> 261873	72	O-Ring – Head (Buna-N)	2	<sup>3</sup> 702122
14	Vane – Duravane	6	<sup>3</sup> 094500	73	Gage Plug	2	908191
20	Head	2	031882	73A	Gasket – Gage Plug	2	<sup>3</sup> 381818
21	Capscrews – Head	20	920199	73B	Plug – Weep Hole	4	340000
24	Ball Bearing	2	<sup>3</sup> 903172	74	Key – Liner	1	<sup>4</sup> 185191
24A	Locknut – Ball Bearing (includes 24C)	2	903582	76	Grease Fitting	2	317815
24B	Lockwasher – Ball Bearing	2	<sup>3</sup> 903524	76A	Grease Relief Fitting	2	701992
24C	Setscrew – Locknut	2	<sup>3</sup> 924060	77	Push Rod	3	<sup>3</sup> 121810
26	Gasket – Bearing Cover	2	<sup>3</sup> 385125	88	Gasket – R/V Cap	1	701981
27	Bearing Cover – Outboard	0 – 1	042227	104	Grease Seal	1	<sup>3</sup> 331908
27A	Bearing Cover – Inboard	1	042225		Tool - Locknut		903091
28	Capscrews – Bearing Cover	6 - 12	920127	—	Kit — Maintenance	—	898900
				—	Kit — Rebuild	—	899000

<sup>2</sup> Includes ref. nos. 24A & 24B      <sup>3</sup> Included in Maintenance Kit and Rebuild Kit      <sup>4</sup> Included in Rebuild Kit  
Keep this parts list should be kept with Installation, Operation and Maintenance Instructions

## MECHANICAL SEAL

Ref. No.	Description	Parts Per Pump	Part No.
153	Mechanical Seal Complete - Cast Iron Stationary Seat, Carbon Seal Face, Buna-N O-Rings. (INCN)	2	<sup>3</sup> 331880
153D	O-Ring – Stationary (Buna-N)	2	701936
153L	O-Ring – Rotating (Buna-N)	2	711912

<sup>3</sup> Included in Maintenance Kit and Rebuild Kit

