

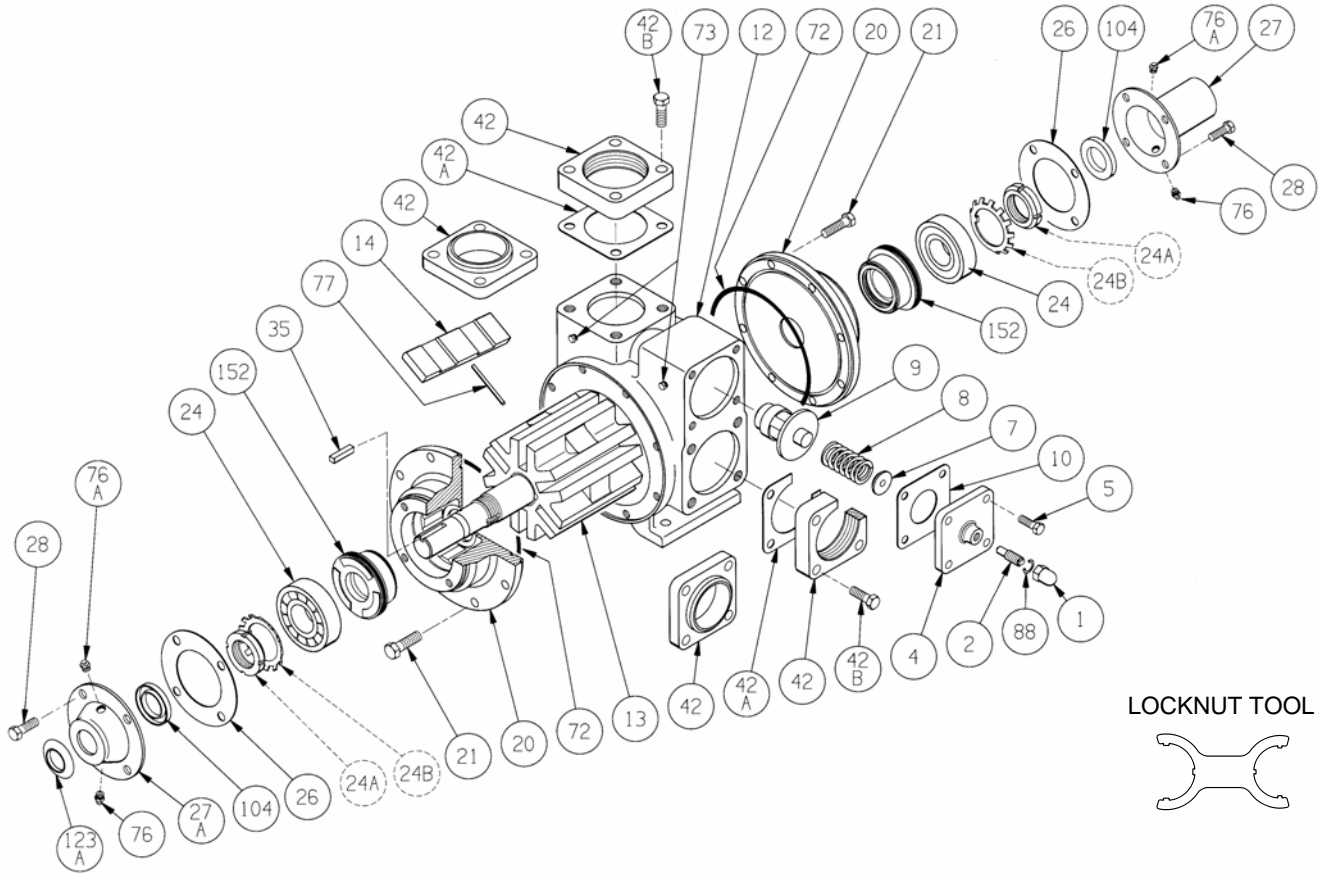
# BLACKMER PARTS LIST

## PUMP MODEL: TXV2.5B DISCONTINUED MODEL: TXV2.5A

See Instructions 202-A00 for Installation, Operation and Maintenance

961614      **PARTS LIST**  
Page 1 of 2      **202-A02**

Section      202  
Effective      Feb 2010  
Replaces      Aug 2009



REF NO.	DESCRIPTION	PARTS PER PUMP	PART NO.	REF NO.	DESCRIPTION	PARTS PER PUMP	PART NO.
1	Cap - Relief Valve (R/V)	1	411453	27	Bearing Cover – Outboard	1	341600
2	Adjusting Screw – R/V	1	431401	27A	Bearing Cover – Inboard	1	041431
4	Cover – R/V	1	411607	28	Capscrews – Bearing Cover	8	920285
5	Capscrew – R/V Cover	4	920316	35	Key – Shaft Square	1	<sup>1,2</sup> 909209
7	Spring Guide – R/V	1	423955	42	Flange – 2 ½" NPT	2	651611
8	Spring – R/V (51-110 psi)(Std.)	1	471631		Flange – 2 ½" Weld		651608
	Spring – R/V (111-125 psi)		471614	42A	Gasket – Flange	2	<sup>1</sup> 381650
9	Valve – R/V (Std.)	1	451623	42B	Capscrew – 2 ½" NPT Flange	8	920532
	Valve – R/V (Nickel Plated)		451624		Capscrew – 2 ½" Weld Flange		920491
10	Gasket – R/V Cover	1	<sup>1</sup> 531603	72	O-Ring – Head (FKM) (Std.)	2	<sup>1</sup> 701914
12	Cylinder	1	021605		O-Ring – Head (PTFE)		702242
13	Rotor & Shaft - Double Ended <sup>3</sup>	1	261614	73	Gage Plug	2	908198
14	Vane – Bronze (Std.)	6	<sup>1</sup> 091624	76	Grease Fitting	2	317815
	Vane – Duravane		091619	76A	Grease Relief Fitting	2	701992
	Vane – Laminate		091627	77	Push Rod	3	<sup>1</sup> 121607
20	Head (Std.)	2	031425	88	Gasket – R/V Cap	1	<sup>1</sup> 701981
	Head with Drain (Opt.)		031426	104	Grease Seal	2	<sup>1</sup> 331918
21	Capscrews – Head	16	920331	123A	Dirt Shield	1	<sup>1</sup> 701480
24	Ball Bearing	2	<sup>1</sup> 903156	152	Lip Seal Assembly	2	See Backside
24A	Locknut – Bearing <sup>4</sup>	2	903521		Tool - Locknut		903091
24B	Lockwasher – Bearing <sup>4</sup>	2	<sup>1</sup> 903522		Kit – Maintenance		898954
26	Gasket – Bearing Cover	2	<sup>1</sup> 381406		Hydraulic Motor Adapter Kit		See Backside

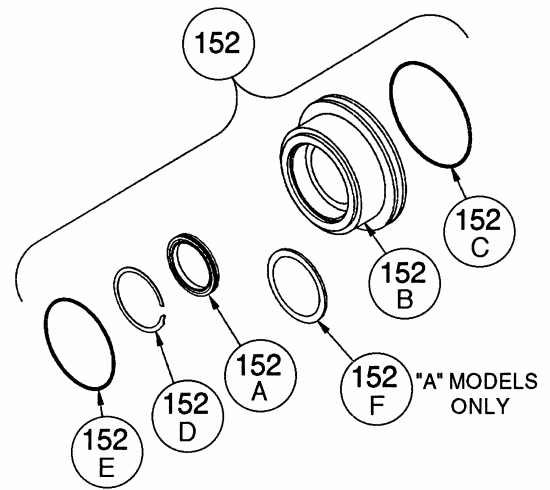
<sup>1</sup> Included in Maintenance Kit    <sup>2</sup> Maintenance Kit also includes Woodruff Key 909130 used previously    <sup>3</sup> Includes Ref. 24A & 24B  
<sup>4</sup> Ref. 24A & 24B became standard Jan. 2002      Keep this parts list with Installation, Operation and Maintenance Instructions.

**LIP SEAL - STANDARD**

REF. NO.	PART NAME	PARTS PER PUMP	TXV2.5B PART NO.	TXV2.5A PART NO.
152	Lip Seal Complete – Lip Seal, Housing w/ FKM O-Ring. (Std.)	2	<sup>1</sup> 331683	331671
152A	Lip Seal w/ FKM O-Ring	2	331685	331662
152B	Housing – Lip Seal	2	331472	331472
152C	Outer O-Ring – Housing (FKM)	2	701921	701921
152D	Retaining Ring – Lip Seal	2	903562	903562
152E	Inner O-Ring – Housing (FKM)	2	702038	702038
152F	Spacer Washers*	0 - 10	NONE	331670

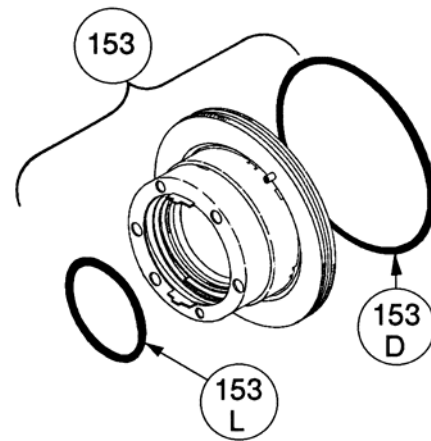
<sup>1</sup> Included in Maintenance Kit

\* Spacer washers (152F) are used for Discontinued TXV2.5A models only.



**MECHANICAL SEAL - OPTIONAL**

REF. NO.	PART NAME	PARTS PER PUMP	PART NO.
153	Mechanical Seal Complete - Cast Iron Stationary Seat, Carbon Seal Face, FKM O-Rings. IVCV	2	331655
	Mechanical Seal Complete - Cast Iron Stationary Seat, Bronze Seal Face, FKM O-Rings. IVBV		331623
153D	O-Ring – Stationary (FKM)	2	701921
153L	O-Ring – Rotating (FKM)	2	701980



**OPTIONAL HYDRAULIC MOTOR ADAPTER**

REF. NO.	PART NAME	PARTS PER PUMP	PART NO.
See Below	<b>Hydraulic Motor Adapter Kit *</b>	See Below	891458
26A	Gasket – Hydraulic Motor Adapter	1	383940
28A	Capscrew – Hydraulic Motor Adapter / Head	4	920369
34	Coupling w/ Setscrew – 1.25" straight key hyd. motor shaft	1	906967
35	Key – Coupling	1	909184
76	Grease Fitting	1	317815
76A	Grease Relief Fitting	1	701992
135	Hydraulic Motor Adapter – SAE A Flange	1	041828
135A	Capscrew – Adapter / Motor	2	920510

\* Hydraulic Motor Adapter Kits shipped prior to Spring 2002 were of a two piece design – refer to page 206-B00.

