

# BLACKMER PUMP PARTS LIST

960295  
PARTS LIST NO. 285/F9

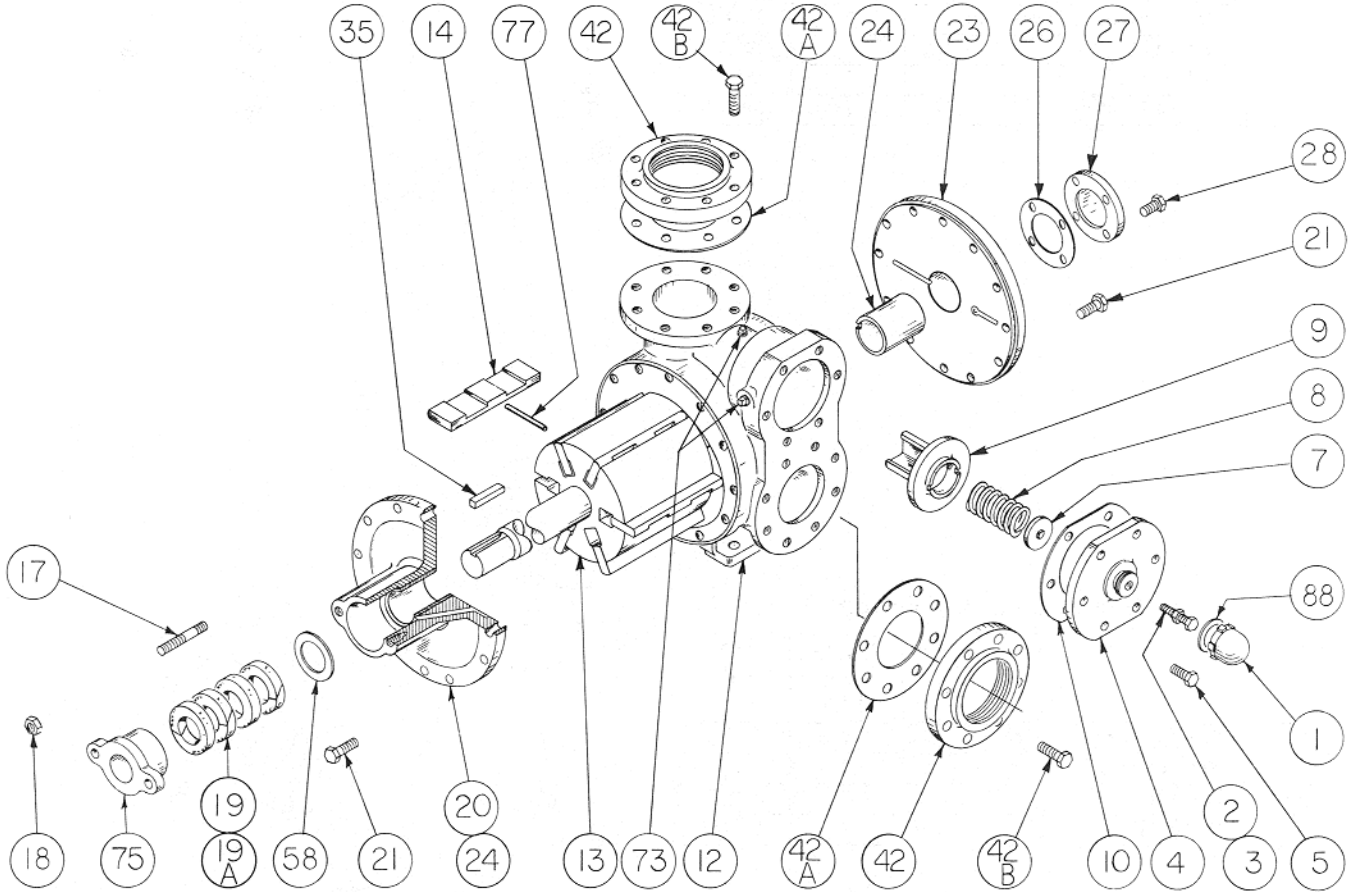
## MODEL: TNP4A

(See Instructions 285/F for Operation and Maintenance)

*These models are obsolete.*

*Parts availability will be limited.*

Section 200  
Effective November 1988  
Replaces August 1978



REF. NO.	PART NAME	PARTS PER PUMP	PART NO.	REF. NO.	PART NAME	PARTS PER PUMP	PART NO.
1	Cap - Relief Valve (R/V)	1	413952	14	Vane - Laminate (Std.)	6	091942
2	Adjusting Screw - R/V	1	436307		Vane - EC Laminate 2		091931
3	Locknut - Adjusting Screw	1	436355		Vane - Bronze		091951
4	Cover - R/V	1	411903		Vane - EC Bronze 2		091953
5	Capscrews - R/V Cover	6	920351		Head & Bushing Asy. - Inboard		1
7	Spring Guide - R/V	1	426355	21	Capscrew - Head	24	920532
8	Spring - R/V (35-50 psi)	1	476303	23	Head & Bushing Asy. - Outboard	1	031953
	Spring - R/V (51-75 psi)(Std.)		476310	24	Sleeve Bearing	2	161900
	Spring - R/V (76-110 psi)		476305	26	Gasket - Bearing Cover	1	381921#
	Spring - R/V (111-150 psi)		476311	27	Bearing Cover	1	041921
	SS Spring - R/V (35-50 psi) 1		476320	28	Capscrew - Bearing Cover	4	920351
	SS Spring - R/V (51-75 psi) 1		476314	35	Key - Shaft	1	909182
	SS Spring - R/V (76-110 psi) 1		476321	42	Flange - NPT	1 - 2	651900
	SS Spring - R/V (111-150 psi) 1		476323		Flange - Weld		651905
9	Valve - R/V (Std.)	1	456315	42A	Gasket - Flange (Fiber)	2	381903#
	Valve - R/V (Nickel Plated)		456300		Gasket - Flange (Composition)		381904
10	Gasket - R/V Cover	1	531921#	42B	Capscrew - Flange	16	920532
12	Cylinder	1	021905	73	Gage Plug	2	908195
			261948	77	Push Rod	3	121905
13	Rotor & Shaft (Std.)	1	261948	77	Push Rod	3	121905
	EC Rotor & Shaft 2		261949	88	Gasket - R/V Cap	1	533908#
					Gasket Repair Kit		891917

# Parts Included in Gasket Repair Kit.

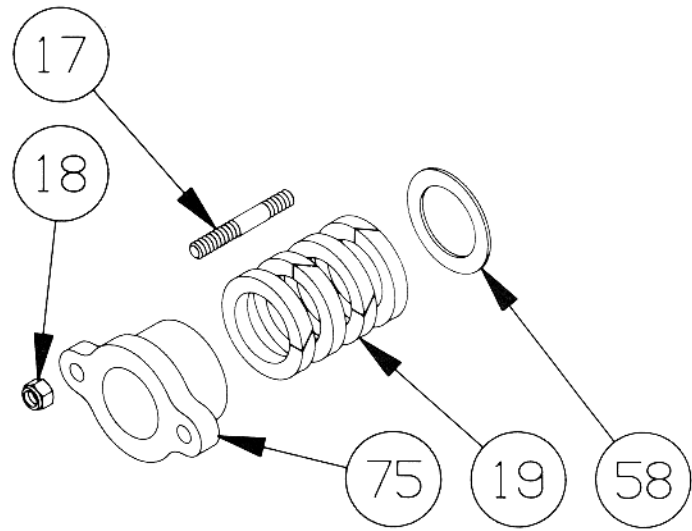
1 Optional Stainless Steel spring (over 300°F/149°C).

2 Extra-Clearance for viscosities over 20,000 SSU (4250 Cs). Indicated by markings on outboard shaft end and on vanes.

**PARTS LIST NO. 285/F10**

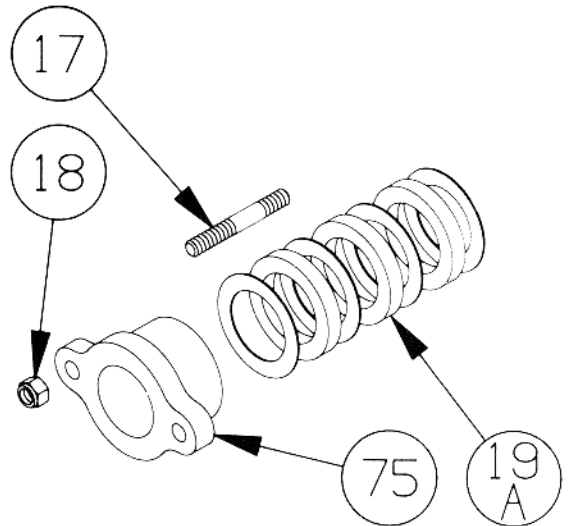
**TNP4 - PACKING - STANDARD**

REF. NO.	PART NAME	PARTS PER PUMP	PART NO.
17	Stud - Packing Follower	2	921561
18	Nut - Packing Follower Stud	2	922420
19	Packing	1	326976
58	Pack Washer	1	356905
75	Packing Follower	1	146921



**TNP4 - TEFLON LIP SEAL - OPTIONAL**

REF. NO.	PART NAME	PARTS PER PUMP	PART NO.
17	Stud - Packing Follower	2	921561
18	Nut - Packing Follower Stud	2	922420
19A	Lip Seal	1	331978
75	Packing Follower	1	146921



**TNP4 - MECHANICAL SEAL - OPTIONAL**

REF. NO.	PART NAME	PARTS PER PUMP	PART NO.
16	Capscrew - Seal Retainer	2	920491
126	Retainer - Seal	1	146920
153	Mechanical Seal (Crane #9)	1	331963

