

# BLACKMER PUMP PARTS LIST

MODEL: STNP3A

(See Instructions 285/G for Installation, Operation and Maintenance)

Discontinued Oct. 1999

962201

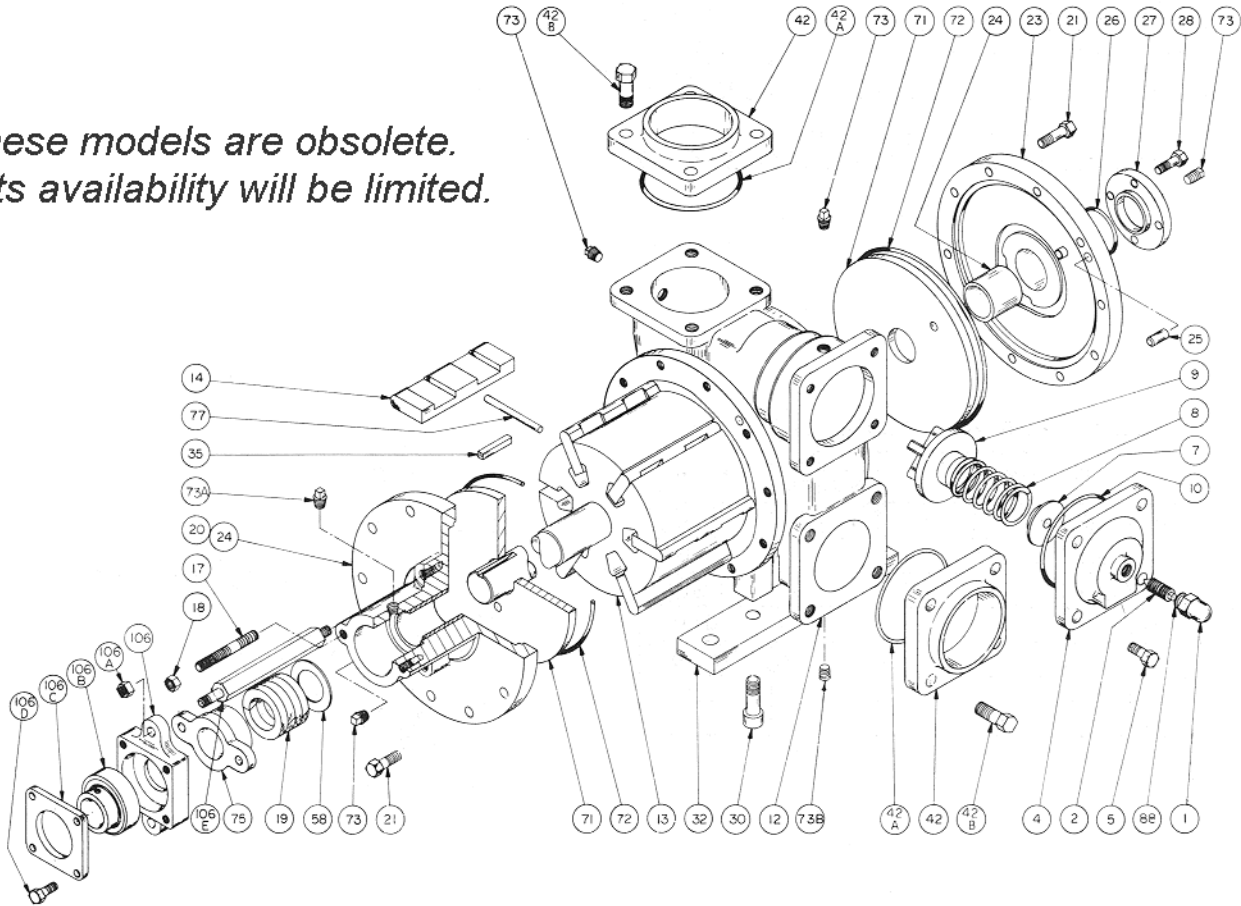
PARTS LIST NO. 285/G1

Section 200

Effective December 1995

Replaces June 1993

*These models are obsolete.  
Parts availability will be limited.*



REF. NO.	PART NAME	PARTS PER PUMP	PART NO.	REF. NO.	PART NAME	PARTS PER PUMP	PART NO.
1	Cap - Relief Valve (R/V)	1	413151	30	Screws - Foot Bracket	4	920466
2	Adjusting Screw - R/V	1	433101	32	Foot Bracket	2	832201
4	Cover - R/V	1	412201	35	Key - Shaft	1	909183
5	Capscrews - R/V Cover	4	920489	42	Flange - 3" Weld	2	652201
7	Spring Guide - R/V	1	422201	42A	Seal Ring - Weld Flange (Teflon)	2	532201
8	Spring - R/V (51-110 psi) (Std.)	1	471807	42B	Capscrew - Weld Flange	8	920489
	Spring - R/V (111-150 psi)		471808	71	Disc		2
9	Valve - R/V	1	452201	72	Seal Ring - Head (Teflon)	2	382201
10	Seal Ring - R/V Cover (Teflon)	1	532201	73	Drain Plug (1/4")	4	908193
12	Cylinder	1	022201	73A	Plug (1/8")	1	908183
13	Rotor & Shaft	1	262201	73B	Plug (1/4")	1	908192
14	Vane - Duravane (Std.)	6	091819	77	Push Rod	3	122201
	Vane - Laminate		091829	88	Gasket - R/V Cap		1
20	Head & Bushing Asy. - Inboard	1	032203	See Below	<b>Shaft Support Bearing Kit</b>	See Below	871168
21	Capscrews - Head	20	920365				
23	Head & Bushing Asy. - Outboard	1	032204	106	Flange - Bearing	1	652251
24	Sleeve Bearing	2	161600	106A	Locknut - Bearing Flange	2	922428
25	Dowel Pin - Head	6	930570	106B	Bearing & Collar Asy.	1	903121
26	Seal Ring - Bearing Cover (Teflon)	1	382211	106C	Cover - Bearing Flange	1	652253
27	Bearing Cover	1	042201	106D	Capscrews - Bearing Flange	4	920179
28	Capscrews - Bearing Cover	4	920179	106E	Rod - Flange	2	652252

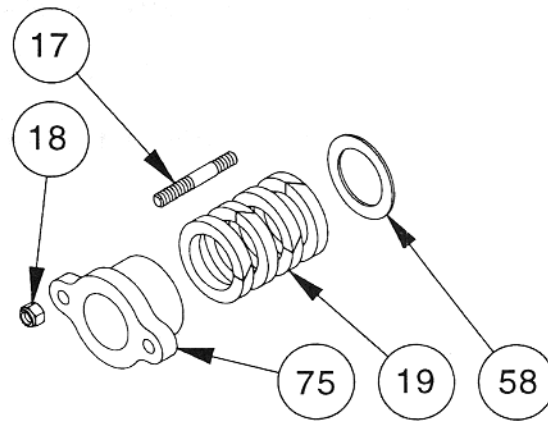
Teflon is a Registered Trademark of the E.I. DuPont Company.

**IMPORTANT NOTE:** This parts list should be kept with Installation, Operation and Maintenance Instructions.

**PARTS LIST NO. 285/G2**

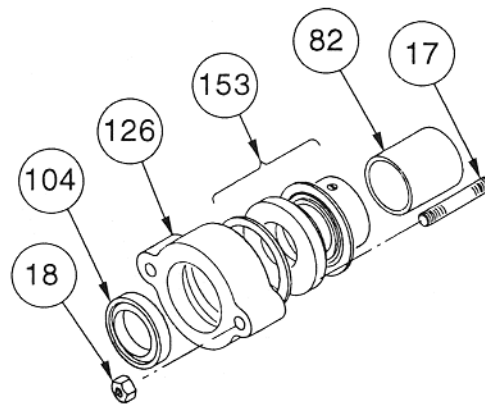
**SHAFT PACKING - STANDARD**

REF. NO.	PART NAME	PARTS PER PUMP	PART NO.
17	Stud - Packing Follower	2	921443
18	Nut - Packing Follower Stud	2	922416
19	Packing Set	1	322201
58	Pack Washer	1	352201
75	Packing Follower	1	142203



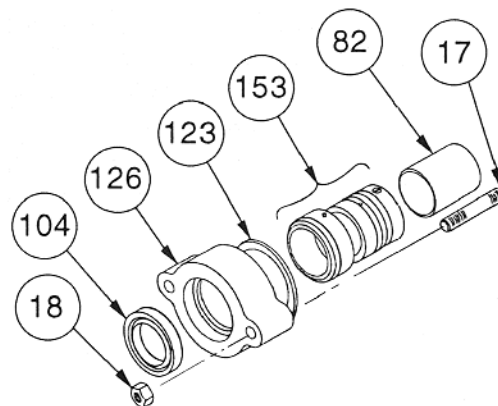
**MECHANICAL SEAL - OPTIONAL**

REF. NO.	PART NAME	PARTS PER PUMP	PART NO.
17	Stud - Retainer	2	921443
18	Nut - Retainer Stud	2	922416
82	Spacer - Seal	1	372203*
104	Oil Seal	1	904202
126	Retainer - Seal	1	332210
153	Mechanical Seal Assembly - Crane Type 9	1	332203



**MECHANICAL SEAL - OPTIONAL**

REF. NO.	PART NAME	PARTS PER PUMP	PART NO.
17	Stud - Retainer	2	921443
18	Nut - Retainer Stud	2	922416
82	Spacer - Seal	1	372203*
104	Oil Seal	1	904202
123	Gasket - Seal Retainer	1	385380
126	Retainer - Seal	1	335310
153	Mechanical Seal Assembly - Durametallc	1	332200



**\* INTERCHANGEABILITY NOTE:**

Old version STNP3 models require seal spacer part number 372202.

**blackmer**

A **DOVER** RESOURCES COMPANY

1809 Century Avenue, Grand Rapids, Michigan 49509 U.S.A.  
Telephone: (616) 241-1611 • Fax: (616) 241-3752