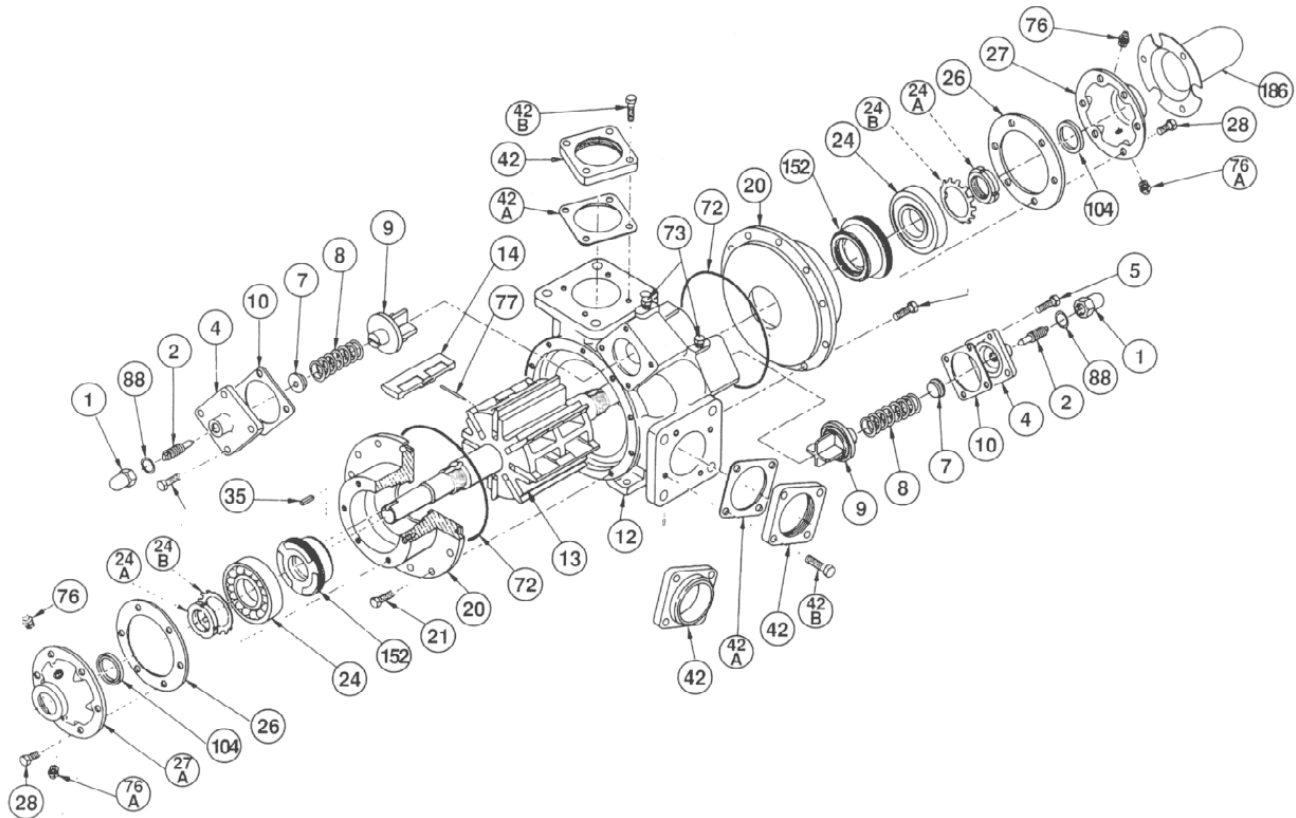


BLACKMER PUMP PARTS LIST

961813
PARTS LIST NO. 285/K5_aug98

TRANSMAX PUMPS DISCONTINUED MODELS: TX200B, TX200A (See Instructions 285/K for Installation, Operation and Maintenance)

Section | 200
Effective | August 1998
Replaces | January 1997



REF. NO.	PART NAME	PARTS PER PUMP	PART NO.	REF. NO.	PART NAME	PARTS PER PUMP	PART NO.
1	Cap - Relief Valve (R/V)	2	411452	24B	Lockwasher – Bearing	2	903524
2	Adjusting Screw - R/V	2	431401	26	Gasket - Bearing Cover	2	381817
4	Cover - R/V	2	411607	27	Bearing Cover - Outboard	0 - 1	041817
5	Capscrew - R/V Cover	8	920316	27A	Bearing Cover - Inboard	1 - 2	041815
7	Spring Guide - R/V	2	423955	28	Capscrews - Bearing Cover	12	920285
8	Spring - R/V (35-50 psi)	2	471608	35	Key – Shaft	1	909178
	Spring – R/V (51-75 psi)		471612	42	Flange – 3" NPT	2	651803
	Spring - R/V (76-110 psi) (Std)		471621		Flange - 3" Weld		655106
	Spring - R/V (111-125 psi)		471614	42A	Gasket - Flange	2	381811
	SS Spring - R/V (35-50 psi)		471610	42B	Capscrews - NPT Flange	8	920532
	SS Spring - R/V (51-75 psi)		471632		Capscrews - Weld Flange		920510
	SS Spring - R/V (76-110 psi)		471632	72	O-Ring - Head (Buna-N) (Std.)	2	702122
	SS Spring - R/V (111-125 psi)		471615		O-Ring - Head (FKM)		702121
			O-Ring - Head (PTFE)	702235			
9	Valve - R/V	2	455100	73	Gage Plug	2	908198
10	Gasket - R/V Cover	2	531603	76	Grease Fitting	2	317815
12	Cylinder	1	021800	76A	Grease Relief Fitting	2	701992
14	Vane - Duravane (Std.)	8	091817	77	Push Rod	4	121804
	Vane - Laminate		091811	88	Gasket - R/V Cap	2	701981
	Vane - Bronze		091813	104	Grease Seal	2	331908
20	Head	2	031800	152	Lip Seal Assy. (Std.)	1 - 2	See Backside
21	Capscrews - Head	20	920331	186	Shaft Protector	1	341801
24	Ball Bearing	2	903172		Hydraulic Motor Adapter Kit ² (SAE A)		895138
24A	Locknut - Bearing	2	903523		Hydraulic Motor Adapter Kit ² (SAE B)		895139

¹ Double-Ended Rotor & Shaft. ² Hydraulic Motor Adapter Kits for field retrofit of parallel keyed 1 1/8" shaft. See Blackmer Parts List 287/B1.

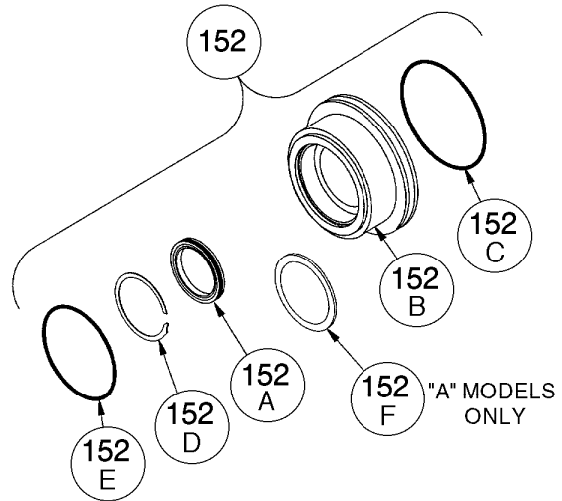
IMPORTANT NOTE: This parts list should be kept with Installation, Operation and Maintenance Instructions 285/K.

PARTS LIST NO. 285/K6

LIP SEAL - STANDARD

REF. NO.	PART NAME	PARTS PER PUMP	TX200B PART NO.	TX200A PART NO.
152	Lip Seal Complete - Lip Seal, Housing w/ Buna-N O-Rings. (Std)	2	331760	331751
	Lip Seal Complete - Lip Seal, Housing w/ FKM O-Rings.		331761	331755
	Lip Seal Complete - Lip Seal, Housing w/ PTFE O-Rings.		331762	331753
152A	Lip Seal w/FKM O-Ring	2	331763	331856
	Lip Seal w/PTFE O-Ring		331764	331752
152B	Housing - Lip Seal	2	331877	331877
152C	Outer O-Ring - Housing (Buna-N)	2	701936	701936
	Outer O-Ring - Housing (FKM)		711931	711931
	Outer O-Ring - Housing (PTFE)		702080	702080
152D	Retaining Ring - Lip Seal	2	903561	903561
152E	Inner O-Ring - Housing (Buna-N)	2	702004	702004
	Inner O-Ring - Housing (FKM)		702086	702086
	Inner O-Ring - Housing (PTFE)		702078	702078
152F	Spacer Washers*	0 - 8	NONE	331754

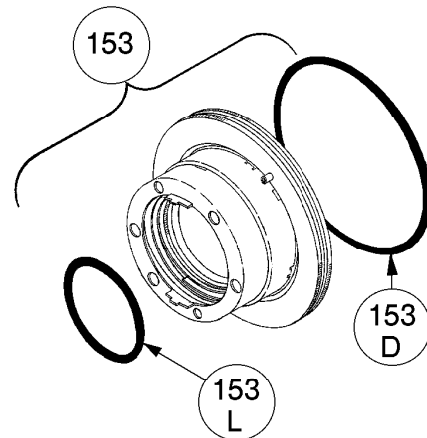
* Spacer washers (152F) are used for Discontinued TX200A models only.



MECHANICAL SEAL - OPTIONAL

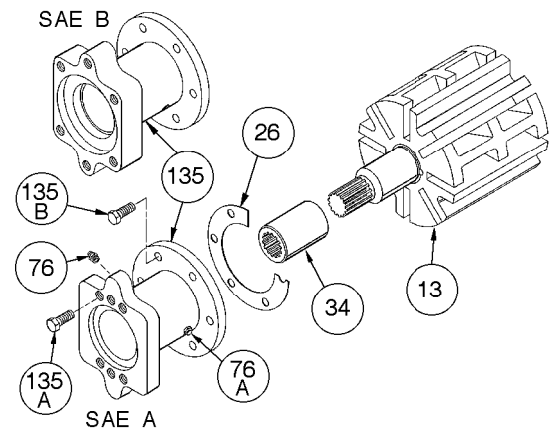
REF. NO.	PART NAME	PARTS PER PUMP	PART NO.
153	Mechanical Seal Complete - SS Stationary Seat, PTFE O-Ring, Carbon Seal Face w/ PTFE Seal Ring.	2	331899
	Mechanical Seal Complete - Cast Iron Stationary Seat, Carbon Seal Face, Buna-N O-Rings.		331880
	Mechanical Seal Complete - Cast Iron Stationary Seat, Carbon Seal Face, FKM O-Rings.		331883
	Mechanical Seal Complete - Cast Iron Stationary Seat, Bronze Seal Face, FKM O-Rings.		331881
	Mechanical Seal Complete - Cast Iron Stationary Seat, PTFE O-Ring, Carbon Seal Face w/PTFE Seal Ring.		331873
153D	O-Ring - Stationary (FKM)	2	711931
	O-Ring - Stationary (PTFE)		702080
153L	O-Ring - Rotating (FKM)	2	701962
	Seal Ring - Rotating (PTFE)		**

** PTFE Rotating Seal Ring is not available as a separate part.



OPTIONAL HYDRAULIC ADAPTER PARTS - SPLINED SHAFT

REF. NO.	PART NAME	PARTS PER PUMP	PART NO.
13	Splined Rotor & Shaft	1	261856
	Splined Rotor & Shaft - Hardened		261857
	Splined Rotor & Shaft - Plated		261858
26	Gasket - Motor Adapter	1	381817
34	Splined Coupling (motor to pump)	1	906009
135	Hyd. Motor Adapter - SAE A (Std.)	1	041803
	Hydraulic Motor Adapter - SAE B		041802
76	Grease Fitting	1	317815
76A	Grease Relief Fitting	1	701992
135A	Capscrews - Motor / Adapter	2 - 4	920510
135B	Capscrews - Adapter / Head	6	920331



1809 Century Avenue, Grand Rapids, Michigan 49509-1595, U.S.A.
 Telephone: (616) 241-1611 / Fax: (616) 241-3752
 E-Mail: blackmer@blackmer.com / Internet: www.blackmer.com