

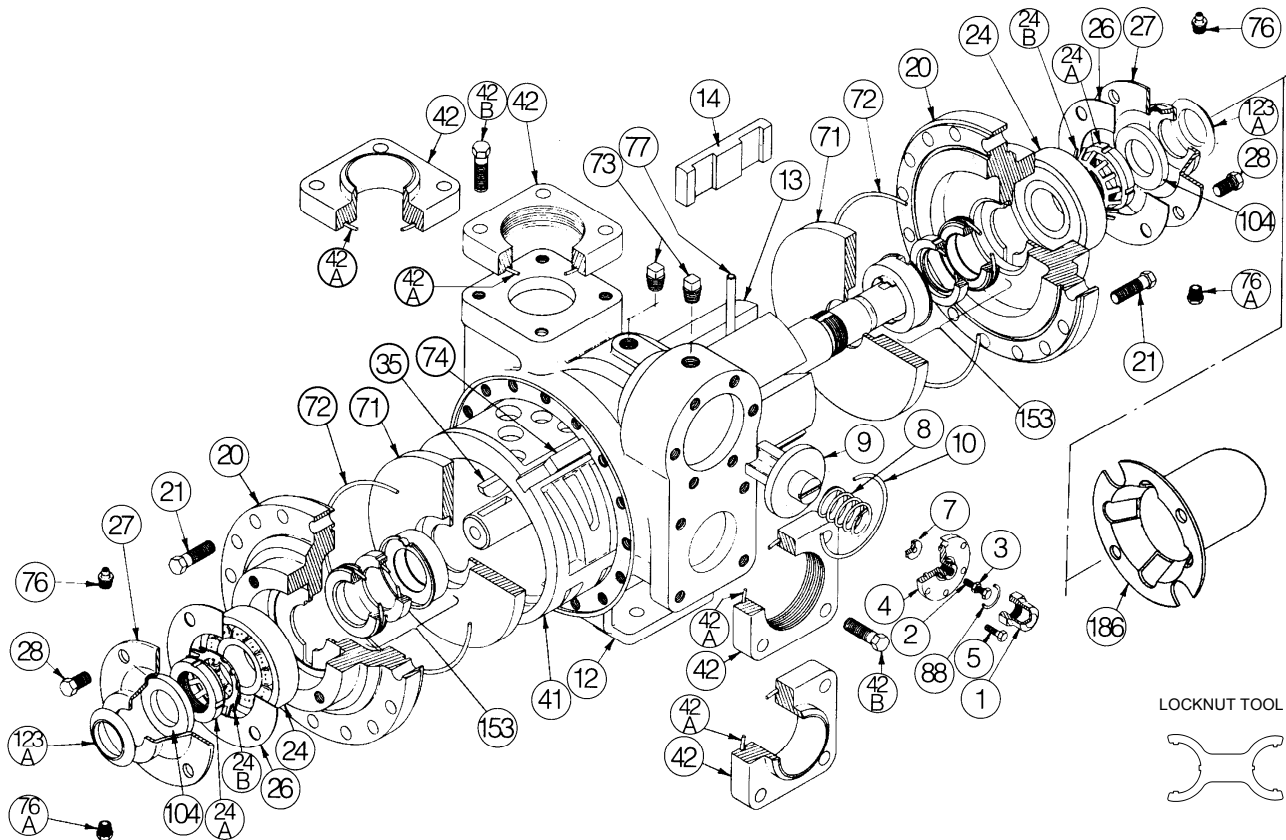
BLACKMER PARTS LIST

PUMP MODELS: SGLD2, SGLD3

964426 **PARTS LIST**
Page 1 of 2 **801-B01**

Keep with Instructions 801-B00 for Installation, Operation and Maintenance

Section	801
Effective	Mar 2011
Replaces	Feb 2010



Ref. No.	Description	Parts per Pump	Size 2 Part No.	Size 3 Part No.	Ref. No.	Description	Parts per Pump	Size 2 Part No.	Size 3 Part No.
1	Relief Valve (R/V) Cap	1	414402	414402	42	NPT Flange	2	654401	655112
2	R/V Adjusting Screw	1	433905	435109		Weld Flange		654405	655102
3	R/V Adjusting Screw Locknut	1	922923	922923	42A	O-Ring Flange (HNBR) (std)	2	¹ 702309	¹ 702312
4	R/V Cover	1	414408	415109		O-Ring Flange (FKM)		702086	711931
5	R/V Cover Capscrews	6	920316	920331		O-Ring Flange (PTFE)		702078	702080
7	R/V Spring Guide	1	424401	425109		O-Ring Flange (Neoprene)		711997	711996
8	R/V Spring (51-75 psi) (std)	1	471425	471612	42B	Capscrew NPT Flange	8	920384	920547
	R/V Spring (76-110 psi)		471428	471621		Capscrew Weld Flange		920351	920510
	R/V Spring (111-150 psi)		471424	475109	71	Disc	2	² 064412	² 065112
9	R/V Valve	1	454405	455109	72	O-Ring Head (HNBR) (std)	2	¹ 702316	¹ 702318
10	O-Ring R/V Cover (HNBR) (std)	1	¹ 702308	¹ 702311		O-Ring Head (FKM)	2	702045	711938
	O-Ring R/V Cover (FKM)		711929	701924		O-Ring Head (PTFE)		702081	702082
	O-Ring R/V Cover (PTFE)		702077	702079		O-Ring Head (Neoprene)		702105	702013
	O-Ring R/V Cover (Neoprene)		711994	711995	73	Gage Plug (1/4" NPT)	2	908198	908198
12	Casing	1	014405	015127	74	Liner Key	1	² 183991	² 185191
13	Rotor & Shaft ³	1	² 264445	² 265148	76	Grease Fitting	2	317815	317815
14	Duravane (std)	6	¹ 091419	¹ 095131	76A	Grease Relief Fitting	2	701992	701992
20	Head	2	034416	035128	77	Push Rod	3	¹ 123905	¹ 125105
21	Head Capscrews	32-40	920351	920369	88	O-Ring R/V Cap (HNBR) (std)	1	¹ 702320	¹ 702320
24	Ball Bearing	2	¹ 903156	¹ 903172		O-Ring R/V Cap (FKM)		701979	701979
24A	Bearing Locknut	2	² 903521	² 903523		O-Ring R/V Cap (PTFE)		702075	702075
24B	Bearing Lockwasher	2	¹ 903522	¹ 903524		O-Ring R/V Cap (Neoprene)		¹ 711984	¹ 711984
26	Bearing Cover Gasket	2	¹ 383940	¹ 385125	104	Grease Seal	2	¹ 331918	¹ 331908
27	Bearing Cover	2	041431	041815	123A	Dirt Shield	2	¹ 701480	NA
28	Bearing Cover Capscrews	8-12	920285	920285	186	Shaft Protector	2	341601	341801
35	Shaft Key	1	¹ 909130	¹ 909130	-	Tool - Locknut	-	903091	903091
41	Liner	1	² 184405	² 185111	-	Kit - Maintenance	-	898935	898936
					-	Kit - Rebuild	-	899035	899036

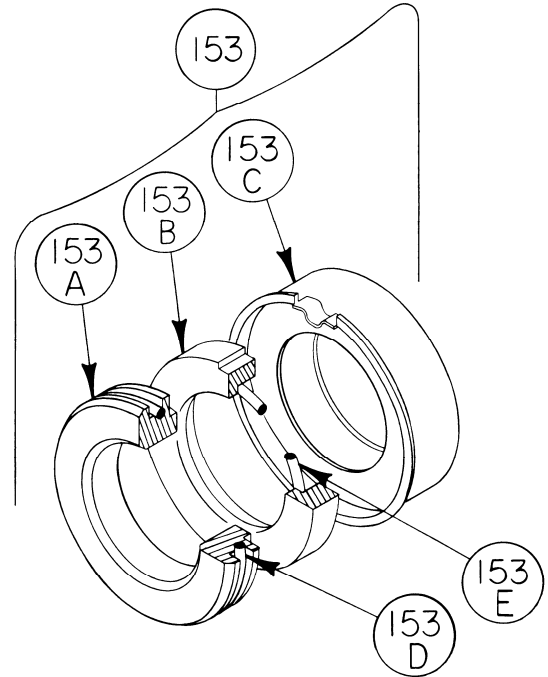
¹ Included in Maintenance Kit and Rebuild Kit

² Included in Rebuild Kit

³ Includes Ref. Nos. 24A & 24B

MECHANICAL SEAL

Ref. No.	Part Name	Parts Per Pump	Size 2 Part No.	Size 3 Part No.
153	Mechanical Seal Assembly (std) Hardened Steel Stationary Seat, Custom Carbon Rotating Seal Face, HNBR O-Rings (SJCJ)	2	¹ 334432	¹ 335206
	Mechanical Seal Assembly Hardened Steel Stationary Seat, Custom Carbon Rotating Seal Face, FKM O-Rings (SVCV)		334433	335216
	Mechanical Seal Assembly Hardened Steel Stationary Seat, Custom Carbon Rotating Seal Face, Neoprene O-Rings (SPCP)		334436	335219
	Mechanical Seal Assembly Hardened Steel Stationary Seat, Custom Carbon Rotating Seal Face, PTFE and Kalrez® O-Rings (SACK)		NA	335217
	Mechanical Seal Assembly Silicon Carbide Stationary Seat, Custom Carbon Rotating Seal Face, PTFE O-Rings (LACA)		334437	335220
	Mechanical Seal Assembly Silicon Carbide Stationary Seat, Custom Carbon Rotating Seal Face, HNBR O-Rings (LJCJ)		334438	335223
153A	Stationary Seat	2	**	**
153B	Rotating Seal Face	2	**	**
153C	Jacket Assembly	2	**	**
153D	O-Ring – Stationary (HNBR) (std)	2	702306	702307
	O-Ring – Stationary (FKM)		701970	702015
	O-Ring – Stationary (Neoprene)		711987	702104
	O-Ring – Stationary (PTFE)		702084	711999
153E	O-Ring – Rotating (HNBR) (std)	2	702302	702305
	O-Ring – Rotating (FKM)		701980	701962
	O-Ring – Rotating (Neoprene)		711900	702007
	O-Ring – Rotating (PTFE)		702109	702110
	O-Ring – Rotating (Kalrez®)		---	702171



¹ Included in Maintenance Kit and Rebuild Kit

** Mechanical Seal Asy. (Ref. No. 153) is only sold as a complete assembly.
Ref. Nos. 153A/153B/153C are not available as separate replacement parts.

® Kalrez is a Registered Trademark of the DuPont Performance Elastomers.

